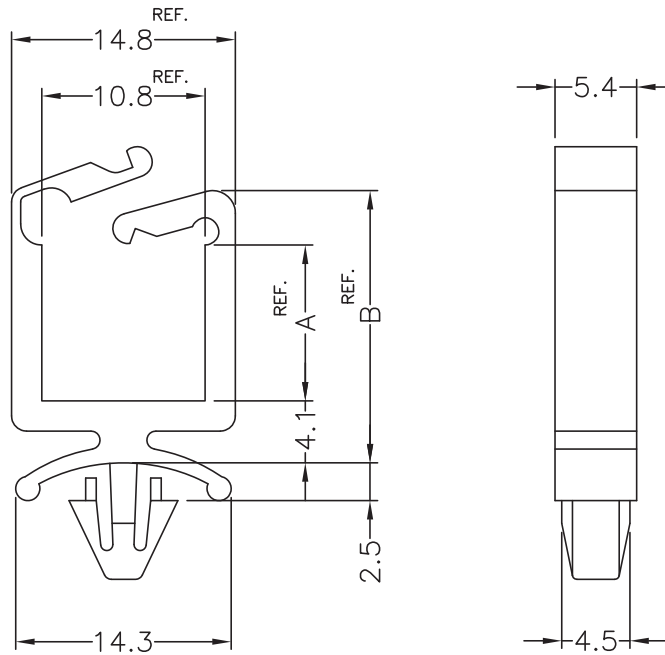


DIM.	TOL.
5mm DOWN	±0.2
5~20mm	±0.3
20~40mm	±0.4
40~60mm	±0.5
60~100mm	±0.8
100mm UP	±1.0

REVISIONS			
REV	DESCRIPTION	DATE	BY




CHASSIS $\phi 4.8 \sim \phi 5.0$
THICKNESS 0.5~2.0

NOTE:

1. All measurement does not include gate which raises under 0.3 mm.
2. The reduced is normal.

PART NO.	A	B
6579AA00	10,3	18,0
6580AA00	19,6	27,2



				TITLE WIRE MOUNT		
				MATERIAL NYLON 66 UL94V - 2	DATE 02/11/2015	
				DRAWN S.P.		
PART NUMBER SEE ABOVE		DRAWING NUMBER 15.11.02.6579.0.E		COLOR NATURAL		CHECK
SIZE A4	SCALE 2:1	UNIT mm	REV A	UNLESS OTHERWISE SPECIFIED TOLERANCE SEE ABOVE		APPROVED