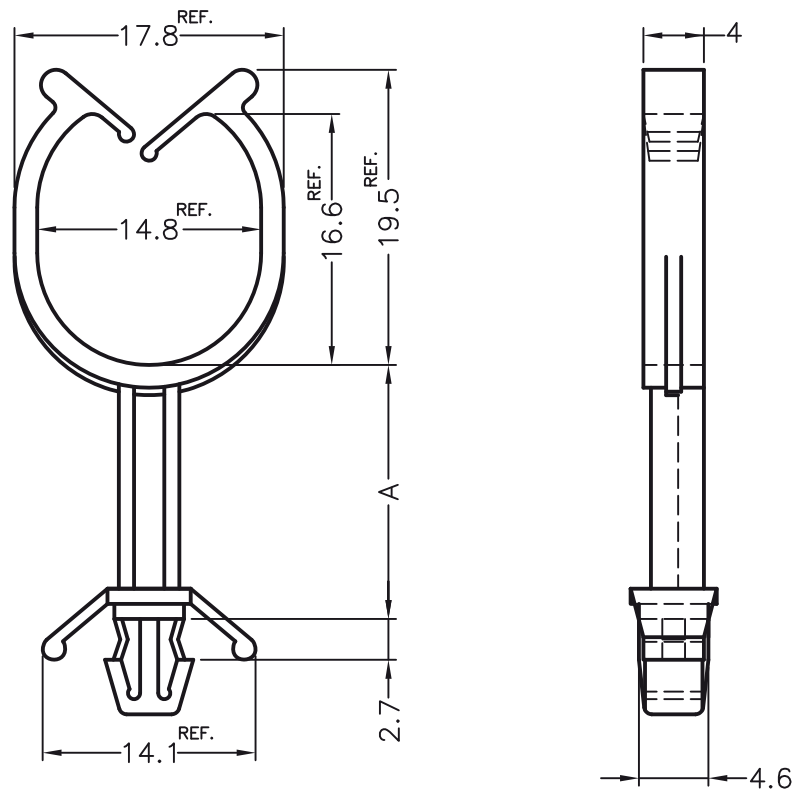


DIM.	TOL
5mm DOWN	±0.2
5~20mm	±0.3
20~40mm	±0.4
40~60mm	±0.5
60~100mm	±0.8
100mm UP	±1.0

REVISIONS			
REV	DESCRIPTION	DATE	BY



BOARD THICKNESS:0.5~2.3
HOLE IN CHASSIS:φ4.8~φ5

PART NO.	A
6575AA00	12.7
6576AA00	16.8
6577AA00	25.0
6578AA00	36.8



				TITLE	WIRE CLIP						
				MATERIAL	PA66 V2 UL 94	DATE	17/05/2011				
PART NUMBER SEE TABLE				FINISH	DRAWN	J.D.					
				DRAWING NUMBER	11.05.17.6575.0.E	COLOR	NATURAL	CHECK			
SIZE	A4	SCALE	2:1	UNIT	mm.	REV	C	UNLESS OTHERWISE SPECIFIED TOLERANCE	SEE ABOVE	APPROVED	