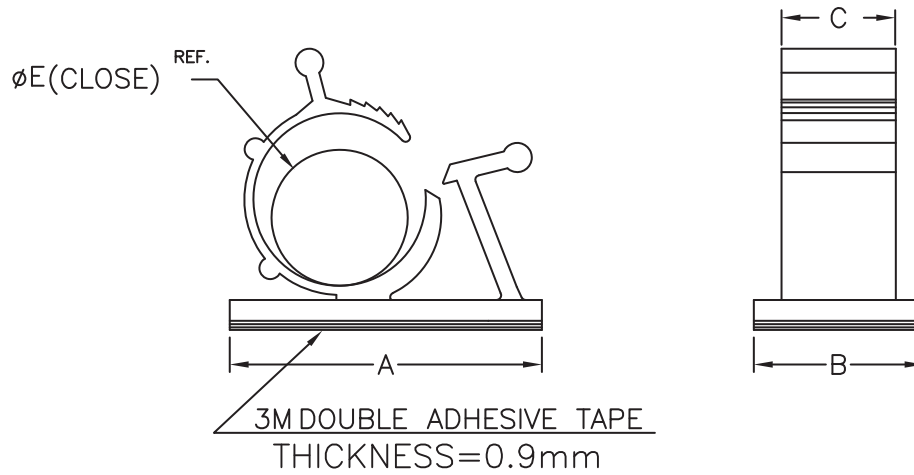



DIM.	TOL
5mm DOWN	±0.2
5~20mm	±0.3
20~40mm	±0.4
40~60mm	±0.5
60~100mm	±0.8
100mm UP	±1.0

REVISIONS			
REV	DESCRIPTION	DATE	BY



NOTE:1. The height is not included thickness of adhesive tape and separate paper.
2. All measurement does not include gate which raises under 0.3mm.

PART NO	A	B	C	E
6405 AA00 AS	24,8	18,8	10,2	7,9 - 10,3
6408 AA00 AS	34,4	18,8	12,7	14,7 - 19,1
6409 AA00 AS	36	19	12,7	18,0 - 22,0
6410 AA00 AS	39,8	19,8	13	22,0 - 26,5

				TITLE SELF ADHESIVE WIRE CLIP-LATERAL CLOSURE	
				MATERIAL PA66 V2 UL94	DATE 17/06/2015
PART NUMBER SEE TABLE				DRAWN D.C.	
				DRAWING NUMBER 11.05.17.6405.0.E	
SIZE A4				CHECK	
				APPROVED	
SCALE NTS		UNIT mm.		REV B	
UNLESS OTHERWISE SPECIFIED TOLERANCE SEE ABOVE					