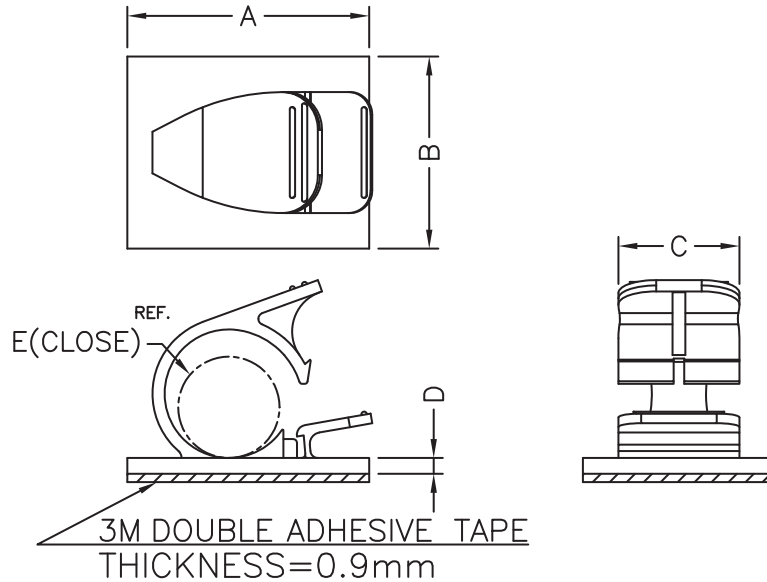



DIM.	TOL
5mm DOWN	±0.2
5~20mm	±0.3
20~40mm	±0.4
40~60mm	±0.5
60~100mm	±0.8
100mm UP	±1.0

REVISIONS			
REV	DESCRIPTION	DATE	BY



- NOTE:1. The Height is not include the releasing paper and adhesive tape's thickness.  
 2. The adhesive tape is cut by hand ,it is normal if there is a not unified edge.  
 3. All measurement does not include gate which raises under 0.3mm.

PART NO	A	B	C	E
6398 AA00 AS	13	10	6,8	4
6399 AA00 AS	15	13	9	6
6400 AA00 AS	21,6	19	12,8	9
6401 AA00 AS	25	20	13,2	11
6402 AA00 AS	32	25,4	16	13,4
6403 AA00 AS	35,8	24,8	16,8	18
6404 AA00 AS	56,1	50	20,1	25,4

				TITLE SELF ADHESIVE WIRE CLIP-LATERAL CLOSURE	
				MATERIAL PA66 V2 UL94	DATE 17/06/2015
PART NUMBER SEE TABLE				FINISH	
				DRAWN D.C.	
DRAWING NUMBER 11.05.17.6398.0.E				COLOR NATURAL	
				CHECK	
SIZE A4	SCALE NTS	UNIT mm.	REV B	UNLESS OTHERWISE SPECIFIED TOLERANCE SEE ABOVE	
				APPROVED	