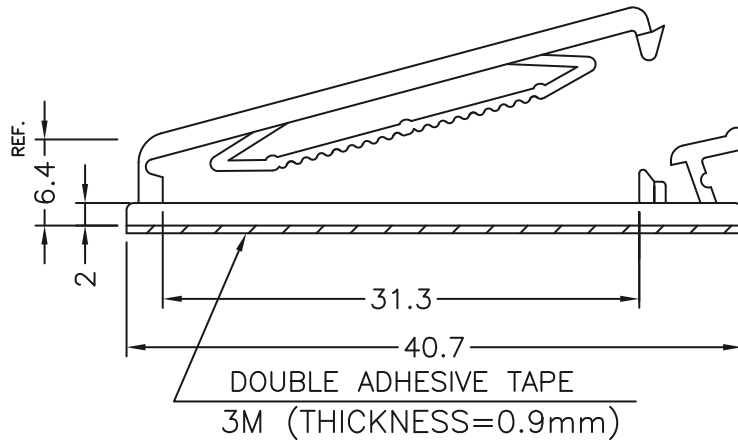
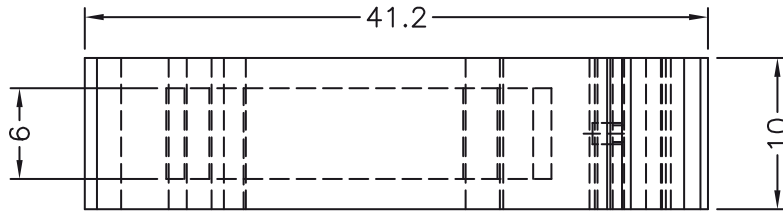



DIM.	TOL
5mm DOWN	±0.2
5~20mm	±0.3
20~40mm	±0.4
40~60mm	±0.5
60~100mm	±0.8
100mm UP	±1.0

REVISIONS			
REV	DESCRIPTION	DATE	BY



- NOTE:1. All measurement does not include gate which raises under 0.3mm.  
 2. The Height is not include the releasing paper and adhesive tape's thickness.  
 3. The adhesive tape is cut by hand ,it is normal if there is a not unified edge.

				TITLE SELF ADHESIVE CABLE HOLDER			
				MATERIAL PA 66 V2 UL 94		DATE 17/05/2011	
				FINISH		DRAWN D.C.	
PART NUMBER 6393AA00AS		DRAWING NUMBER 11.05.17.6393.0.E		COLOR NATURAL		CHECK	
SIZE A4	SCALE 2:1	UNIT mm.	REV C	UNLESS OTHERWISE SPECIFIED TOLERANCE SEE ABOVE		APPROVED	