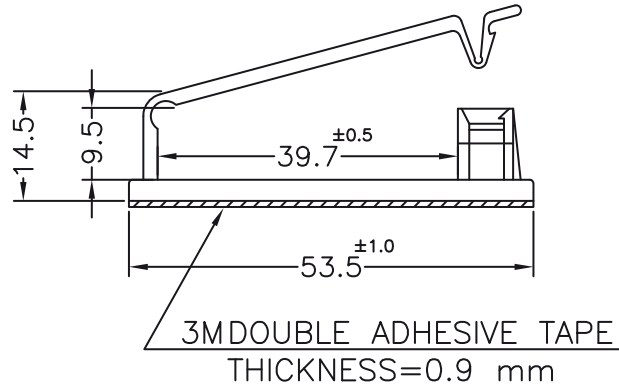
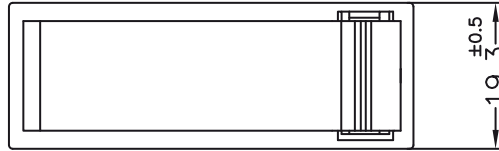



DIM.	TOL
5mm DOWN	±0.2
5~20mm	±0.3
20~40mm	±0.4
40~60mm	±0.5
60~100mm	±0.8
100mm UP	±1.0

REVISIONS			
REV	DESCRIPTION	DATE	BY



- NOTE:1. The Height is not include the releasing paper and adhesive tape's thickness.
 2. Cutted face can't be very smooth ,due to by hand-cutting.
 3. All measurement does not include gate which raises under 0.3mm.

				TITLE SELF ADHESIVE CABLE HOLDER	
				MATERIAL PA 66 V2 UL 94	DATE 17/05/2011
PART NUMBER 6392AA00AS				DRAWING NUMBER 11.05.17.6392.0.E	
				FINISH	DRAWN D.C.
SIZE A4				COLOR NATURAL	
				SCALE 1:1	CHECK
UNIT mm.				UNLESS OTHERWISE SPECIFIED TOLERANCE SEE ABOVE	
				APPROVED	
REV C					