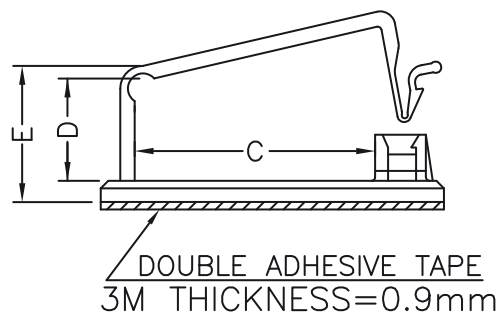
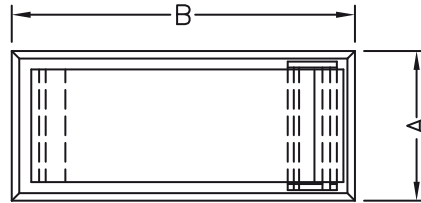



DIM.	TOL
5mm DOWN	±0.2
5~20mm	±0.3
20~40mm	±0.4
40~60mm	±0.5
60~100mm	±0.8
100mm UP	±1.0

REVISIONS			
REV	DESCRIPTION	DATE	BY



- NOTE:1. The adhesive tape is cut by hand ,it is normal if there is a not unified edge.
 2. The Height is not include the releasing paper and adhesive tape's thickness.
 3. All measurement does not include gate which raises under 0.3mm.

PART NO.	A	B	C	D	E
6390AA00AS	19.8	45.4	31.8	13.4	18.0

				TITLE SELF ADHESIVE CABLE HOLDER	
				MATERIAL PA 66 V2 UL 94	DATE 17/05/2011
PART NUMBER 6390AA00AS				FINISH	DRAWN D.C.
				COLOR NATURAL	CHECK
SIZE A4	SCALE 1:1	DRAWING NUMBER 11.05.17.6390.0.E	UNIT mm.	REV C	UNLESS OTHERWISE SPECIFIED TOLERANCE SEE ABOVE
					APPROVED