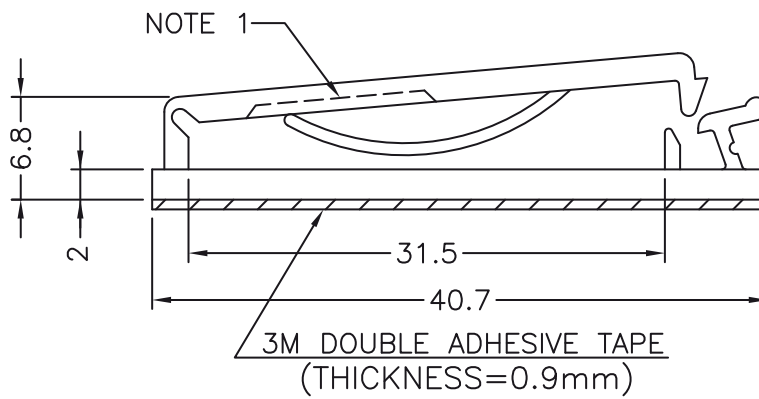
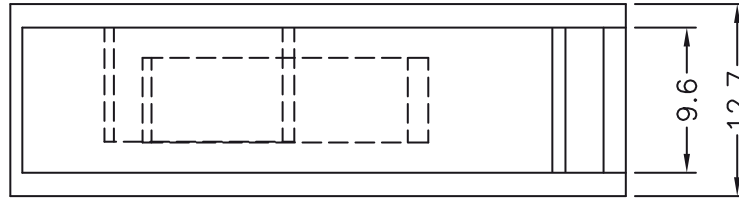


DIM.	TOL
5mm DOWN	±0.2
5~20mm	±0.3
20~40mm	±0.4
40~60mm	±0.5
60~100mm	±0.8
100mm UP	±1.0

REVISIONS			
REV	DESCRIPTION	DATE	BY




NOTE:1.GAP DIRECTION MAY DIFFER DUE TO MOLD SEQUENCE, VARIATIONS WILL NOT AFFECT FUNCTIONALITY

2. THE HEIGHT IS NOT INCLUDE THE RELEASING PAPER AND ADHESIVE TAPE' S THICKNESS.

3. THE ADHESIVE TAPE IS CUT BY HAND , IT IS NORMAL IF THERE IS A NOT UNIFIED EDGE.

4. MADE OF EQUIVALENT MATERIAL.

				TITLE SELF ADHESIVE CABLE HOLDER			
				MATERIAL PA 66 V2 UL 94		DATE 17/05/2011	
				FINISH		DRAWN D.C.	
				COLOR NATURAL		CHECK	
PART NUMBER 6385AA00AS		DRAWING NUMBER 11.05.17.6385.0.E					
SIZE A4	SCALE 2:1	UNIT mm.	REV C	UNLESS OTHERWISE SPECIFIED TOLERANCE SEE ABOVE			
				APPROVED			