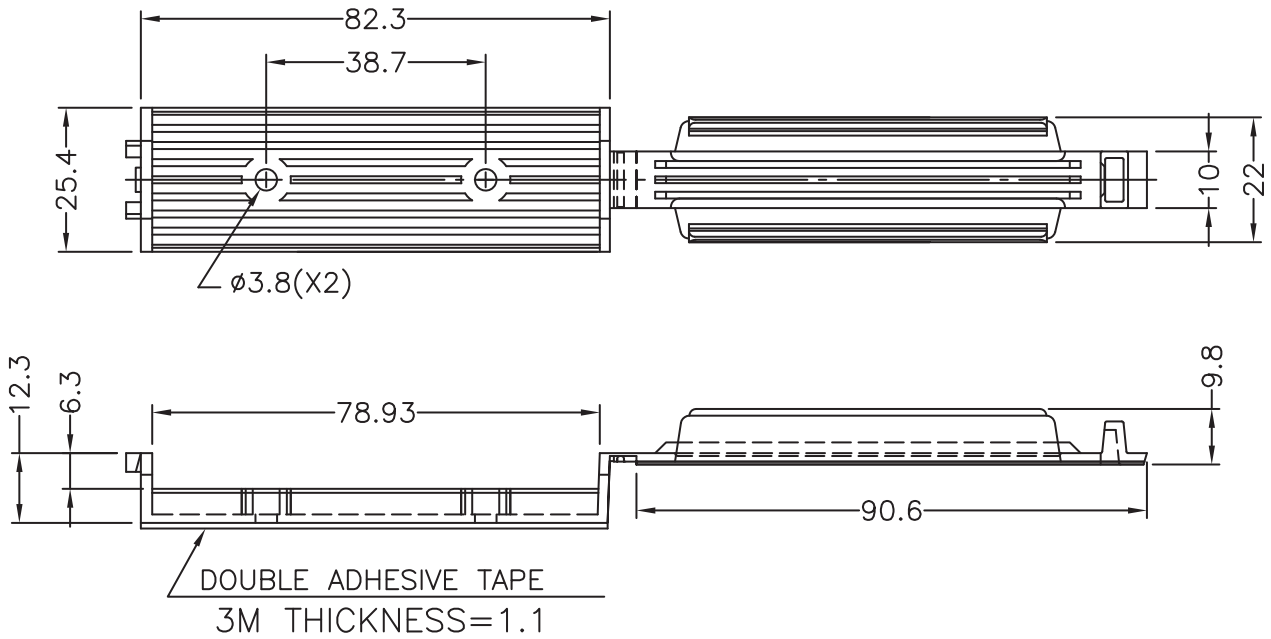



| DIM. | TOL |
|----------|------|
| 5mm DOWN | ±0.2 |
| 5~20mm | ±0.3 |
| 20~40mm | ±0.4 |
| 40~60mm | ±0.5 |
| 60~100mm | ±0.8 |
| 100mm UP | ±1.0 |

| REVISIONS | | | |
|-----------|-------------|------|----|
| REV | DESCRIPTION | DATE | BY |
| | | | |
| | | | |



- NOTE: 1. ALL MEASUREMENT DOES NOT INCLUDE GATE WHICH RAISES UNDER 0.3mm.
 2. THE HEIGHT IS NOT INCLUDE THE RELEASING PAPER AND ADHESIVE TAPE'S THICKNESS.
 3. THE ADHESIVE TAPE IS CUT BY HAND , IT IS NORMAL IF THERE IS A NOT UNIFIED EDGE.
 4. MADE OF EQUIVALENT MATERIAL.

| | | | | | |
|--|--|--|--|--------------------------------------|--------------------|
|  | | | | TITLE WIRE CLIP - SIDE OPENING | |
| | | | | MATERIAL PA66 V2 UL94 | DATE 17/06/2015 |
| PART NUMBER 6384AA11AS | | | | DRAWN D.C. | |
| | | | | DRAWING NUMBER 11.05.17.6384.0.E | |
| SIZE A4 | | | | COLOR GREY | |
| | | | | CHECK | |
| SCALE 3:4 | | | | UNLESS OTHERWISE SPECIFIED TOLERANCE | |
| | | | | APPROVED | |
| UNIT mm. | | | | REV C | |
| | | | | | |