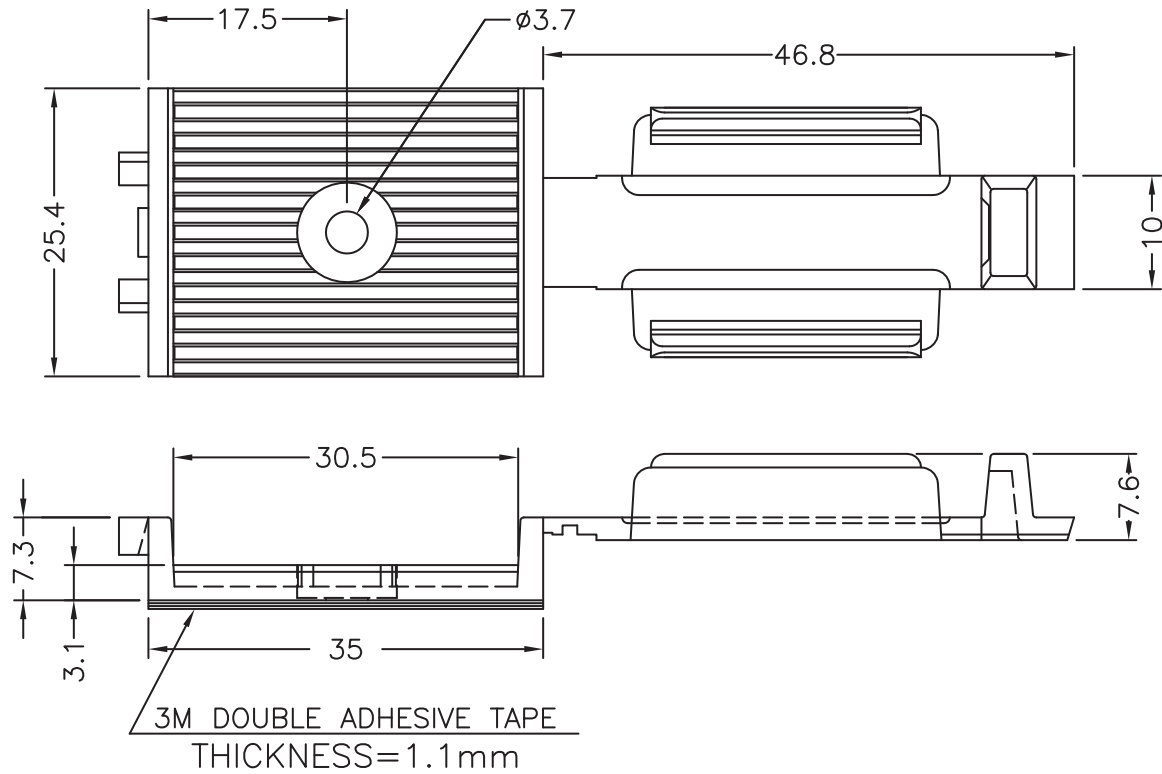



DIM.	TOL
5mm DOWN	±0.2
5~20mm	±0.3
20~40mm	±0.4
40~60mm	±0.5
60~100mm	±0.8
100mm UP	±1.0

REVISIONS			
REV	DESCRIPTION	DATE	BY



NOTE:1.Height include adhesive tape , not include release paper.
 2.the adhesive tape is cut by hand ,it is normal if there is a not unified edge.

				TITLE WIRE CLIP - SIDE OPENING	
				MATERIAL PA66 V2 UL94	DATE 17/06/2015
PART NUMBER 6382AA11AS				DRAWING NUMBER 11.05.17.6382.0.E	
				FINISH	DRAWN D.C.
SIZE A4				COLOR GREY	
				UNLESS OTHERWISE SPECIFIED TOLERANCE	
SCALE 3:2		UNIT mm.	REV C	CHECK	
APPROVED					