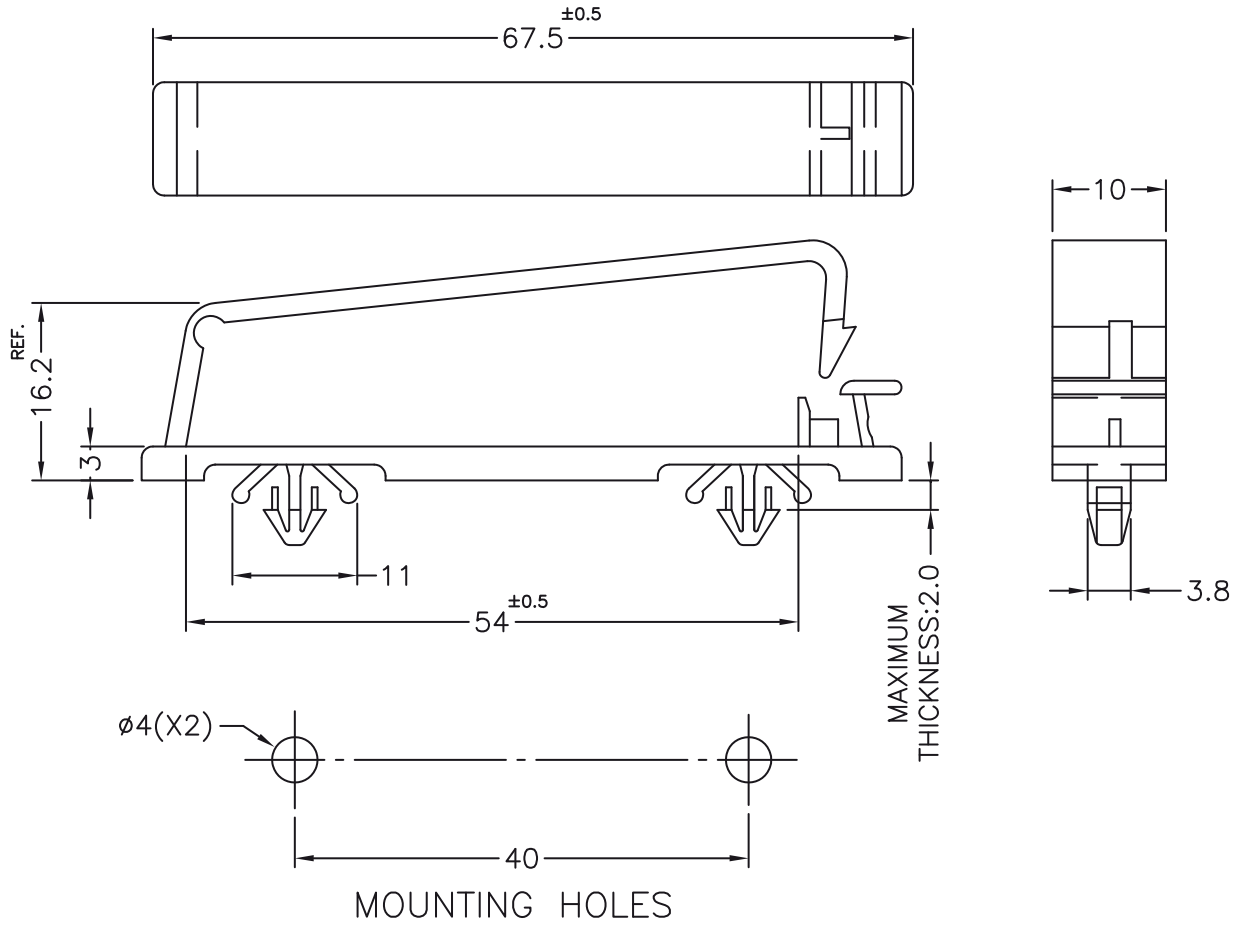


REVISIONS			
REV	DESCRIPTION	DATE	BY



<b>fastpoint</b>		TITLE	FLAT CABLE CLIP
		MATERIAL	PA66 V2 UL 94
		FINISH	
		COLOR	NATURAL
PART NUMBER	DRAWING NUMBER	DATE	17/05/2011
6381AA00	11.05.17.6381.0.E	DRAWN	J.D.
SIZE	SCALE	UNIT	CHECK
A4	3:2	mm.	APPROVED
REV	C	UNLESS OTHERWISE SPECIFIED TOLERANCE	$\pm 0.2$