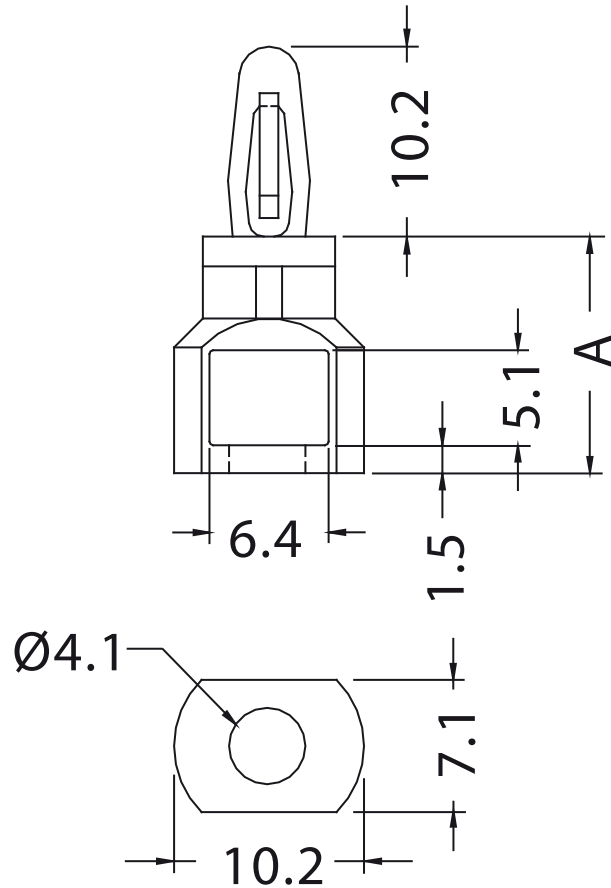


P.C.B HOLE: Ø 4.0
THICKNESS 1.6



PART NO.	"A"
6252 AA00	9,5
6253 AA00	11,1
6254 AA00	12,7
6255 AA00	15,9
6256 AA00	19,1
6257 AA00	22,2
6258 AA00	25,4

REV.	DESCRIPTION	DATE	TITLE: SNAP RIVET LOCKING PCB SPACER SUPPORT	DWG UNIT: MM
	MATERIAL: PA66 V2(UL94)		Modelled in RHINO 4.0	FILE:
	COLOUR: NATURAL		TOLLERANCES UNLESS NOTED	DwN: 11/07/08
			.XX= +/-010	DT: 08.07.12.6252.E.
			.XXX= +/-005	ChkD:
			FRAC.=+/- 1/64	Part Number: SEE TABLE
			ANG.=+/-1°	
			SHEET: 1 OF 1	
			SCALE: NTS	
			