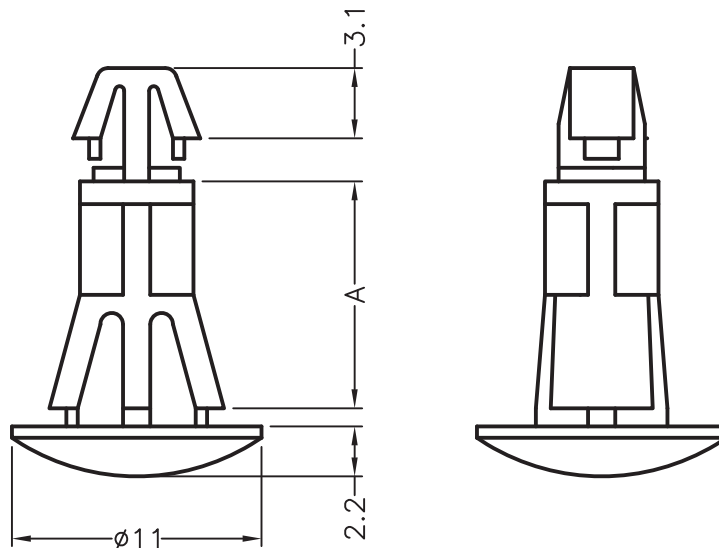


DIM.	TOL
5mm DOWN	±0.2
5~20mm	±0.3
20~40mm	±0.4
40~60mm	±0.5
60~100mm	±0.8
100mm UP	±1.0


REVISIONS			
REV	DESCRIPTION	DATE	BY

HOLE IN P.C.B $\phi 4.0$
P.C.B THICKNESS 1.2~1.7



HOLE IN CHASSIS $\phi 6.0$
CHASSIS THICKNESS 0.8~2.0

PART NO.	A
6243 AA00	5,0
6244 AA00	6,4
6245 AA00	8,0
6246 AA00	10,0
6247 AA00	12,7
6248 AA00	15,9

				TITLE REVERSE LOCKING PCB SPACER	
				MATERIAL PA66 V2 UL 94	DATE 17/05/2011
PART NUMBER SEE TABLE				FINISH	DRAWN J.D.
				DRAWING NUMBER 11.05.17.6243.0.E	
SIZE A4	SCALF NTS	UNIT mm.	REV A	UNLESS OTHERWISE SPECIFIED TOLERANCE SEE ABOVE	
				APPROVED	