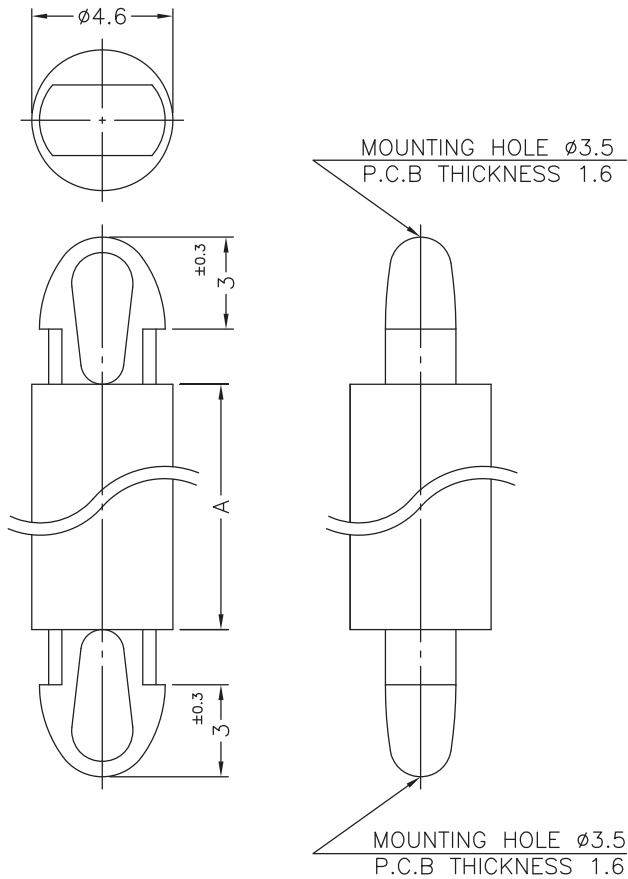



DIM.	TOL
5mm DOWN	±0.2
5~20mm	±0.3
20~40mm	±0.4
40~60mm	±0.5
60~100mm	±0.8
100mm UP	±1.0

REVISIONS			
REV	DESCRIPTION	DATE	BY



PART NO.	A
6210 AA00	2,0
6211 AA00	3,0
6212 AA00	4,0
6213 AA00	5,0
6214 AA00	6,0
6215 AA00	7,0
6216 AA00	8,0
6217 AA00	10,0
6218 AA00	12,0
6219 AA00	14,0
6220 AA00	16,0
6221 AA00	18,0
6222 AA00	20,0
6223 AA00	22,0

NOTE: All measurement does not include gate which raises under 0.3 mm.

				TITLE SPACER SUPPORT	
				MATERIAL NYLON 66 UL94V - 2	DATE 07/09/2015
PART NUMBER SEE TABLE				DRAWN S.P.	
				DRAWING NUMBER 15.09.07.6210.0.E	
SIZE A4				COLOR NATURAL	
				CHECK	
SCALE NTS				UNLESS OTHERWISE SPECIFIED TOLERANCE SEE ABOVE	
				APPROVED	
UNIT mm.		REV A			