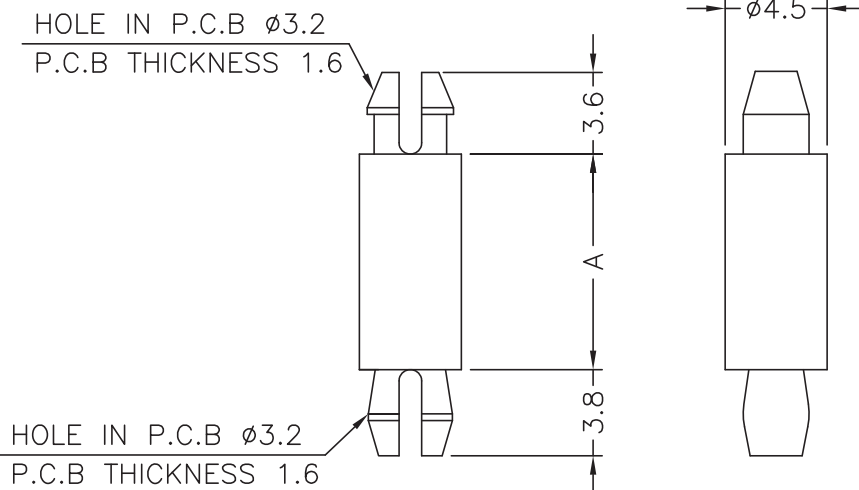



DIM.	TOL
5mm DOWN	±0.2
5~20mm	±0.3
20~40mm	±0.4
40~60mm	±0.5
60~100mm	±0.8
100mm UP	±1.0

REVISIONS			
REV	DESCRIPTION	DATE	BY

PART NO.	A
6145 AA00	3,2
6146 AA00	4,8
6147 AA00	6,4
6148 AA00	7,9
6149 AA00	9,5
6150 AA00	11,1
6151 AA00	12,7
6152 AA00	14,3
6153 AA00	15,9
6155 AA00	17,5
6156 AA00	19,1
6157 AA00	20,6
6159 AA00	22,2
6160 AA00	25,4
6161 AA00	28,5
6162 AA00	31,7
6164 AA00	34,9
6165 AA00	38,1



				TITLE SPACER SUPPORT	
				MATERIAL NYLON 66 UL94V-2	DATE 07/09/2015
PART NUMBER SEE ABOVE				DRAWN S.P.	
				DRAWING NUMBER 15.09.07.6145.0.E	
SIZE A4				COLOR NATURAL	
				SCALE NTS	
UNIT mm.				CHECK	
				REV A	
UNLESS OTHERWISE SPECIFIED TOLERANCE SEE ABOVE				APPROVED	
				PART NUMBER SEE ABOVE	