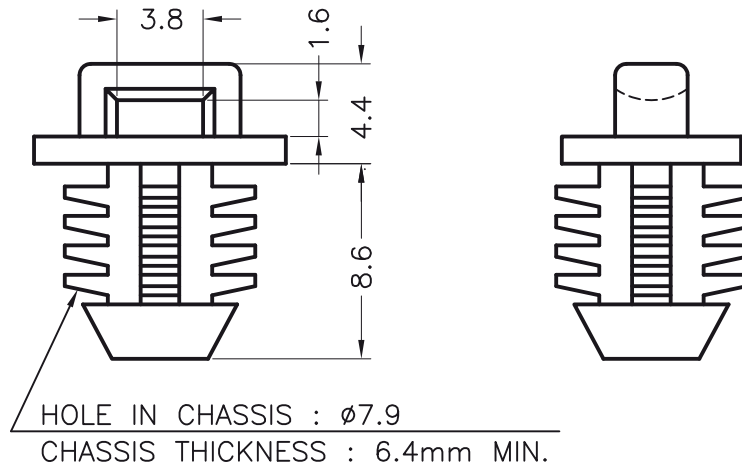
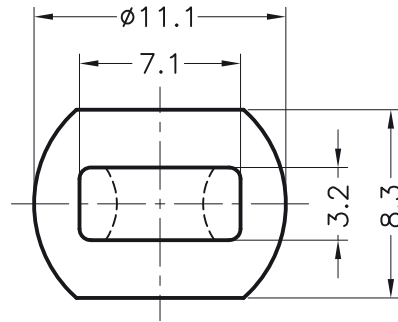



DIM.	TOL
5mm DOWN	±0.2
5~20mm	±0.3
20~40mm	±0.4
40~60mm	±0.5
60~100mm	±0.8
100mm UP	±1.0

REVISIONS			
REV	DESCRIPTION	DATE	BY



NOTE: All measurement does not include gate which raises under 0.3mm.

		TITLE	CABLE TIE MOUNT		
		MATERIAL	PA66 V2 UL 94	DATE	17/05/2011
PART NUMBER		DRAWING NUMBER		FINISH	DRAWN
6143AA00		11.05.17.6143.0.E		D.C.	
SIZE	SCALE	UNIT	REV	COLOR	CHECK
A4	3:1	mm.	C	NATURAL	
UNLESS OTHERWISE SPECIFIED TOLERANCE				SEE ABOVE	APPROVED