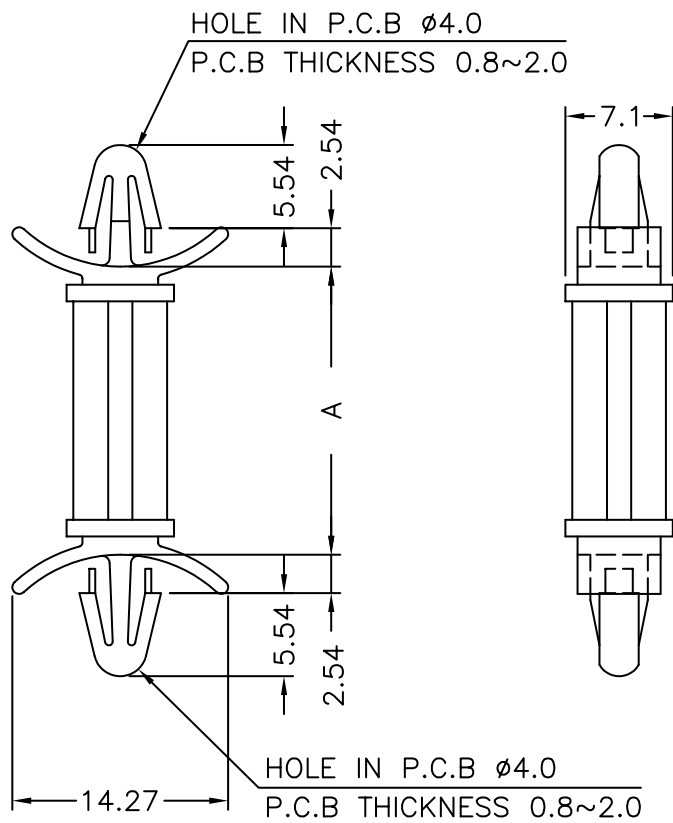


DIM.	TOL
5mm DOWN	±0.2
5~20mm	±0.3
20~40mm	±0.4
40~60mm	±0.5
60~100mm	±0.8
100mm UP	±1.0

REVISIONS			
REV	DESCRIPTION	DATE	BY



PART NO.	A
6120AA00	4.74
6121AA00	6.35
6122AA00	9.52
6123AA00	12.7
6124AA00	15.87
6125AA00	19.05
6126AA00	22.22



fastpoint		TITLE DUAL LOCKING P.C.B. SPACER	
		MATERIAL PA66 V2 UL94	DATE 17/05/2011
PART NUMBER SEE TABLE		DRAWN J.D.	
DRAWING NUMBER 11.05.17.6120.0.E		COLOR NATURAL	CHECK
SIZE A4	SCALE NTS	UNIT mm.	REV A
UNLESS OTHERWISE SPECIFIED TOLERANCE SEE ABOVE		APPROVED	