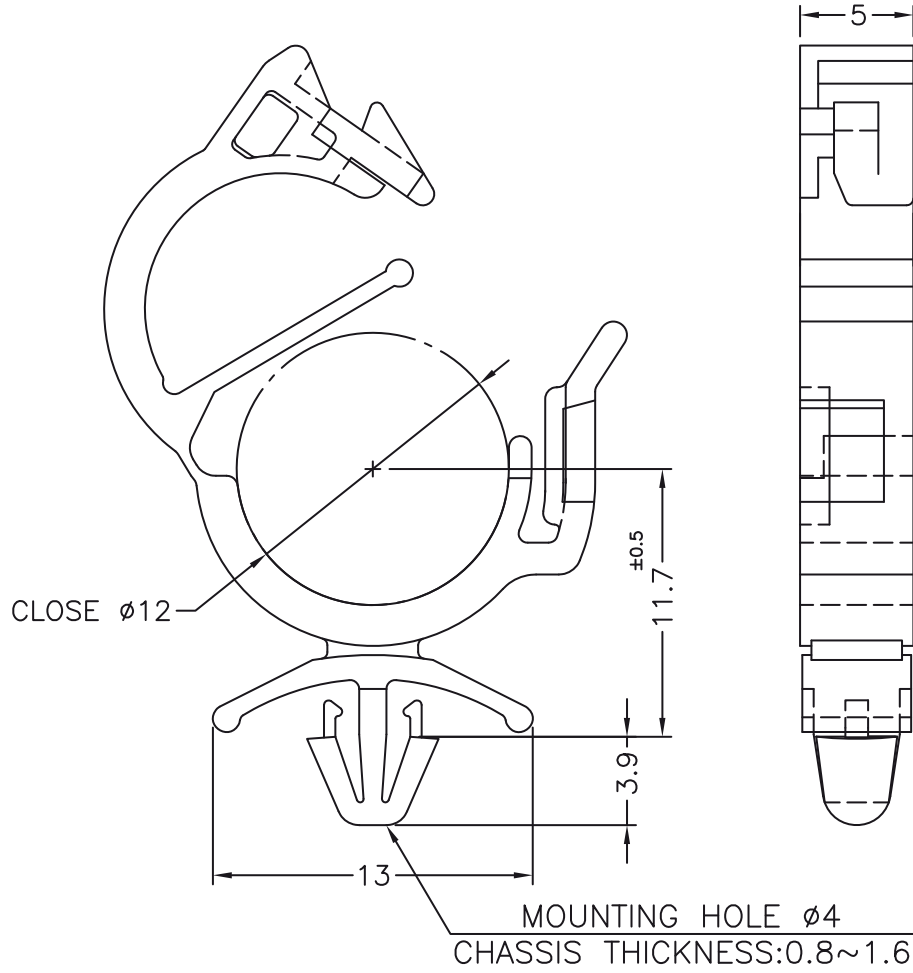



DIM.	TOL
L ≤ 10	±0.2
10 < L ≤ 30	±0.3
30 < L ≤ 50	±0.5
50 < L ≤ 100	±0.7
100 < L ≤ 250	±1.2
ABOVE 250	±1.5

REVISIONS			
REV	DESCRIPTION	DATE	BY



				TITLE	CABLE CLAMP						
				MATERIAL	PA66 V2 UL 94	DATE	17/05/2011				
				FINISH		DRAWN	J.D.				
PART NUMBER	6066AA00	DRAWING NUMBER	11.05.6066.6.0.E	COLOR	NATURAL	CHECK					
SIZE	A4	SCALE	3:1	UNIT	mm.	REV	C	UNLESS OTHERWISE SPECIFIED TOLERANCE	SEE ABOVE	APPROVED	