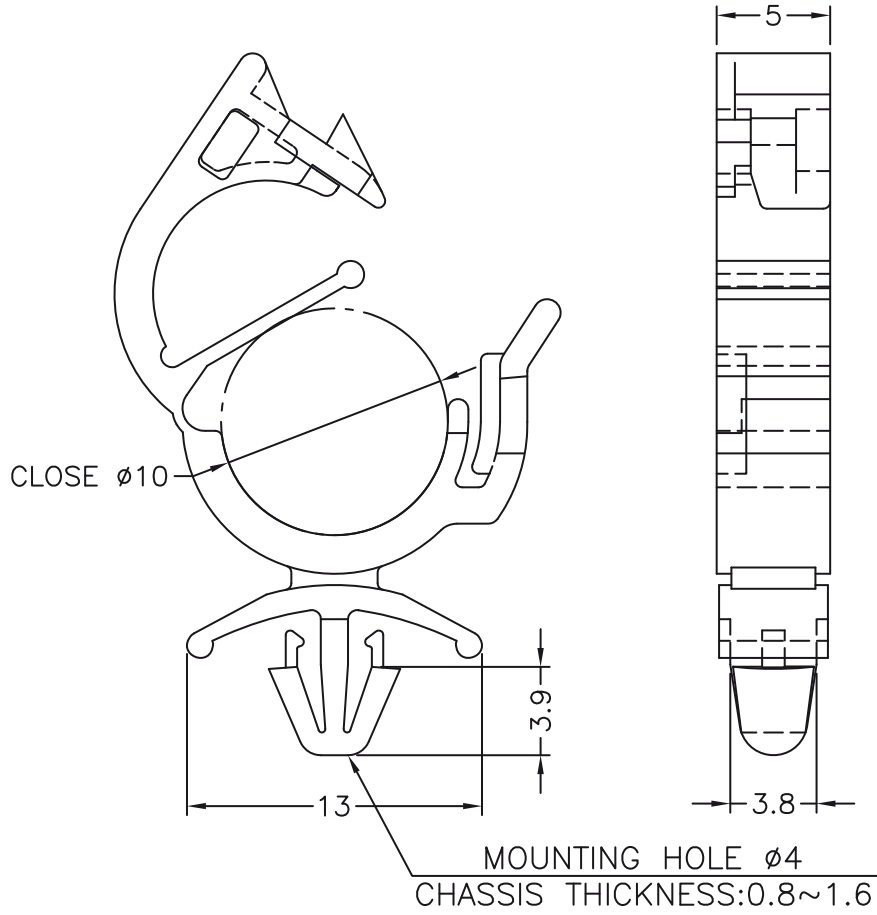



DIM.	TOL
L ≤ 10	±0.2
10 < L ≤ 30	±0.3
30 < L ≤ 50	±0.5
50 < L ≤ 100	±0.7
100 < L ≤ 250	±1.2
ABOVE 250	±1.5

REVISIONS			
REV	DESCRIPTION	DATE	BY



				TITLE	CABLE CLAMP	
				MATERIAL	PA66 V2 UL 94	DATE
PART NUMBER 6065AA00				FINISH	DRAWN	J.D.
				COLOR	NATURAL	CHECK
DRAWING NUMBER		11.05.6065.6.0.E		UNLESS OTHERWISE SPECIFIED TOLERANCE		APPROVED
SIZE	SCALE	UNIT	REV	SEE ABOVE		
A4	3:1	mm.	C			