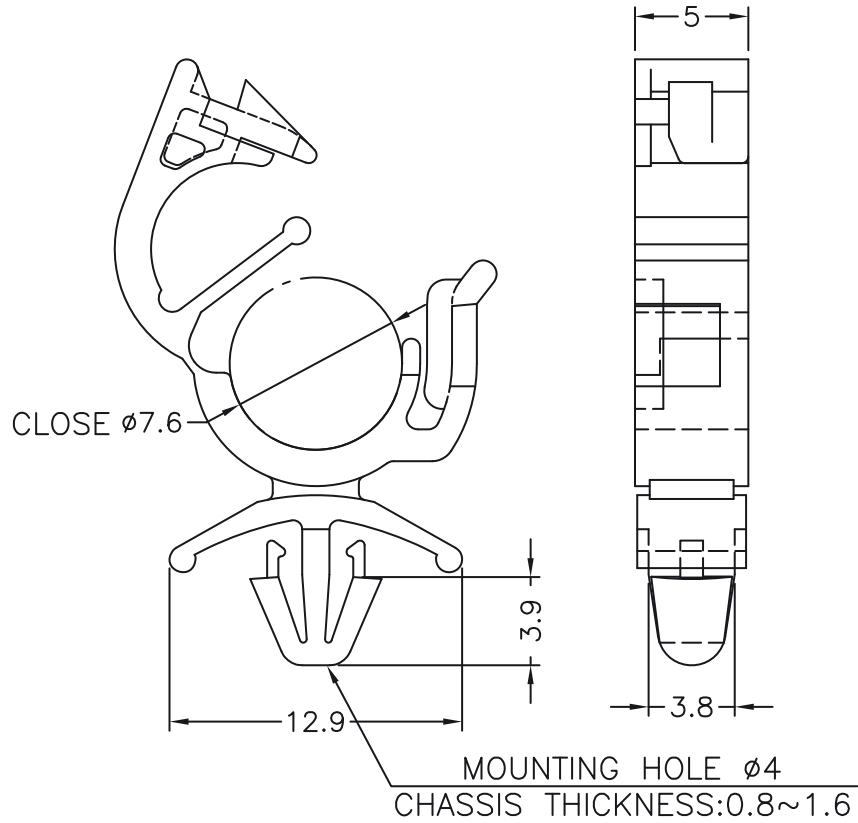


DIM.	TOL
L ≤ 10	±0.2
10 < L ≤ 30	±0.3
30 < L ≤ 50	±0.5
50 < L ≤ 100	±0.7
100 < L ≤ 250	±1.2
ABOVE 250	±1.5

REVISIONS			
REV	DESCRIPTION	DATE	BY



<b>fastpoint</b>		TITLE	CABLE CLAMP
		MATERIAL	PA66 V2 UL 94
		FINISH	
		COLOR	NATURAL
PART NUMBER	6063AA00	DRAWING NUMBER	11.05.6063.6.0.E
DATE	17/05/2011	DRAWN	J.D.
SIZE	A4	SCALE	3:1
UNIT	mm.	REV	C
UNLESS OTHERWISE SPECIFIED TOLERANCE	SEE ABOVE	CHECK	APPROVED