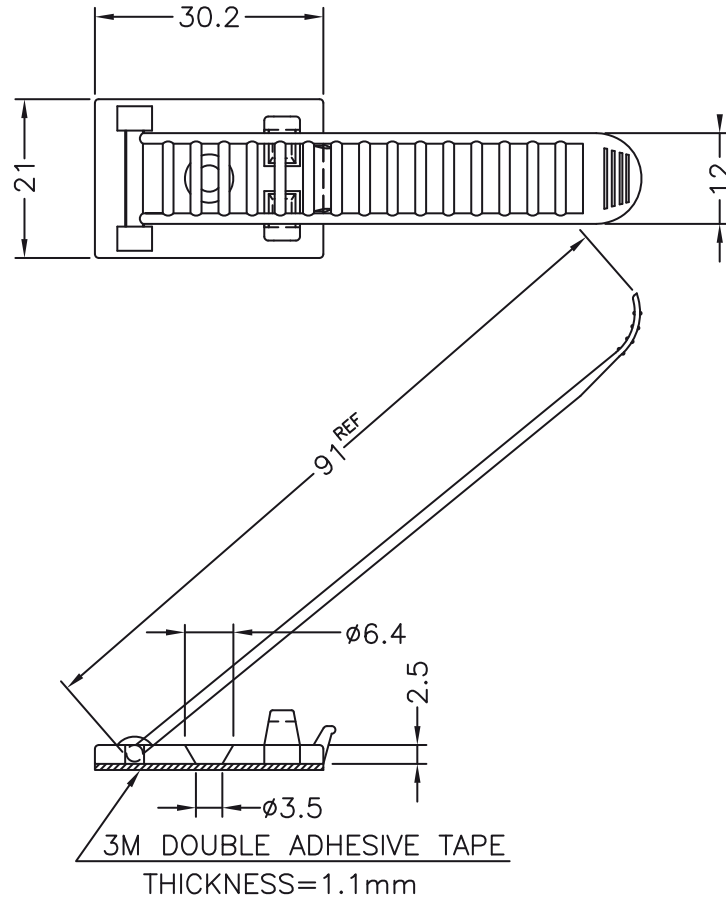


| DIM. | TOL |
|----------|------|
| 5mm DOWN | ±0.2 |
| 5~20mm | ±0.3 |
| 20~40mm | ±0.4 |
| 40~60mm | ±0.5 |
| 60~100mm | ±0.8 |
| 100mm UP | ±1.0 |

| REVISIONS | | | |
|-----------|-------------|------|----|
| REV | DESCRIPTION | DATE | BY |
| | | | |
| | | | |



TITLE
ADHESIVE CABLE TIE

MATERIAL
PA 66 V2 (UL94)

DATE
17/05/2011

FINISH
COLOR
NATURAL

DRAWN
D.C.

PART NUMBER
6061AA00AS

DRAWING NUMBER
11.05.17.6061.0.E

UNLESS OTHERWISE SPECIFIED
TOLERANCE
SEE ABOVE

APPROVED

SIZE
A4

SCALE
1:1

UNIT
mm.

REV
C