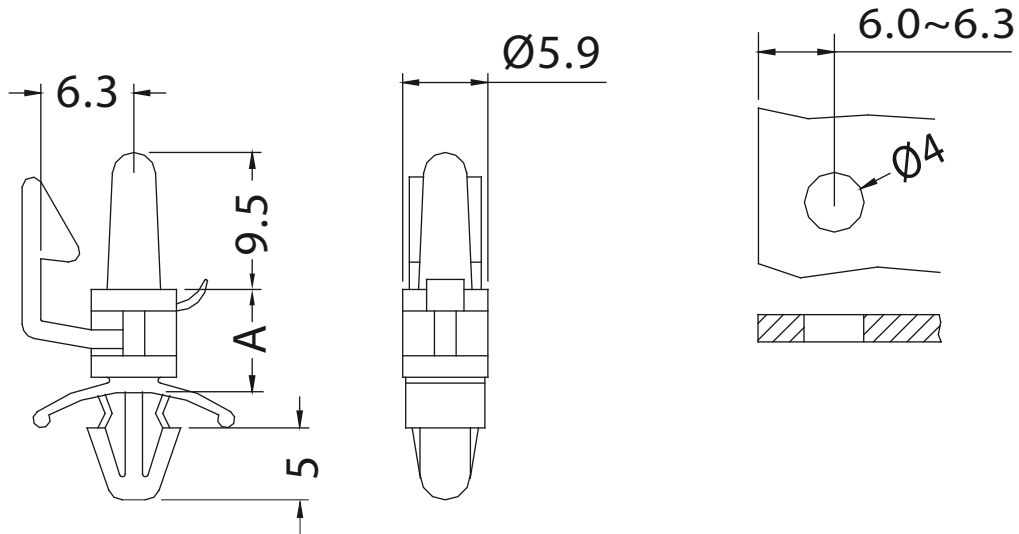



P.C.B Ø4.0  
THICKNESS 1.6~1.8



PART NO.	"A"±0,1
6020AA00	6,3
6021AA00	8,0
6022AA00	9,5
6023AA00	12,7
6024AA00	15,9

CHASSIS Ø4.8  
THICKNESS 0.5~2.0

DESCRIPTION		TITLE: EDGE SPACER SUPPORT		DWG UNIT: MM	
MATERIAL: PA66 V2 (UL94)		Modelled in RHINO 4.0	FILE:	DwN: 08.03.11.6020T.E.0	ChkD:
COLOUR: NATURAL		TOLLERANCES UNLESS NOTED	SHEET: 1 OF 1	DT: 11/03/08	Part Number: SEE TABLE
		.XX= +/-010	SCALE: NTS		
		.XXX= +/-005			
REV.	DATE	FRAC.= +/- 1/64			
		ANG.= +/-1°			