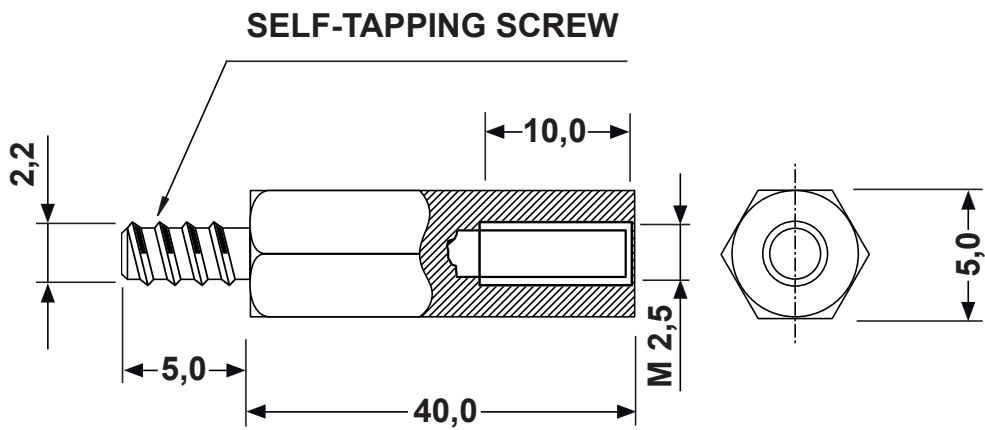


DIM.	TOL
L ≤ 10	±0.2
10 < L ≤ 30	±0.3
30 < L ≤ 50	±0.5
50 < L ≤ 100	±0.7
100 < L ≤ 250	±1.2
ABOVE 250	±1.5

REVISIONS			
REV	DESCRIPTION	DATE	BY



fastpoint		TITLE SELF-TAPPING SPACERS	
		MATERIAL NICKEL-PLATED BRASS	DATE 17/05/2017
PART NUMBER 5938MA92		DRAWN R.F.	
DRAWING NUMBER 17.05.17.5938.0.E		CHECK	
SIZE A4	SCALE NTS	COLOR	APPROVED
UNIT mm.	REV A	UNLESS OTHERWISE SPECIFIED TOLERANCE SEE ABOVE	