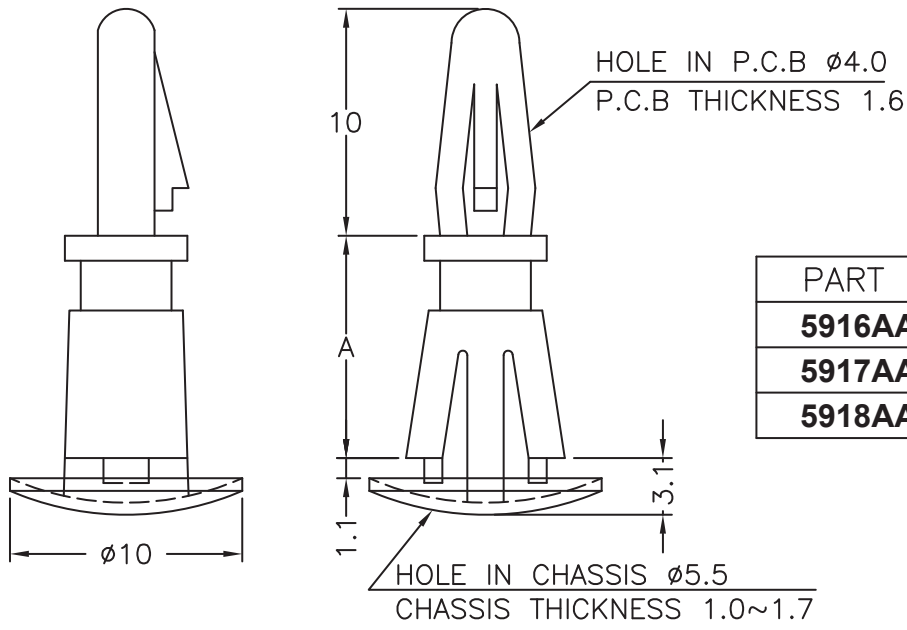



DIM.	TOL
5mm DOWN	±0.2
5~20mm	±0.3
20~40mm	±0.4
40~60mm	±0.5
60~100mm	±0.8
100mm UP	±1.0

REVISIONS			
REV	DESCRIPTION	DATE	BY



PART NO.	A
5916AA00	10.0
5917AA00	12.0
5918AA00	12.7

				TITLE DUAL LOCKING PCB SPACER	
				MATERIAL PA66 V2 UL94	DATE 17/06/2015
PART NUMBER SEE TABLE				DRAWING NUMBER 11.05.17.5915.0.E	
				COLOR NATURAL	
SIZE A4	SCALE NTS	UNIT mm.	REV B	UNLESS OTHERWISE SPECIFIED TOLERANCE SEE ABOVE	
				APPROVED	