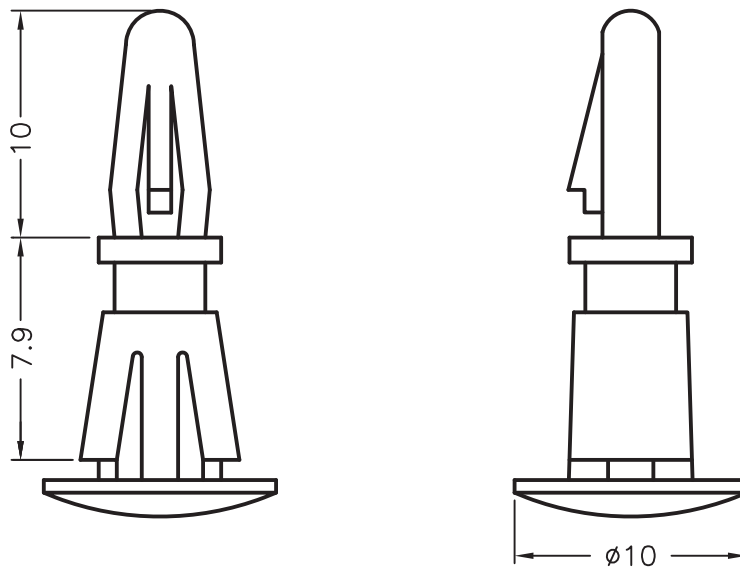


DIM.	TOL.
5mm DOWN	±0.2
5~20mm	±0.3
20~40mm	±0.4
40~60mm	±0.5
60~100mm	±0.8
100mm UP	±1.0

REVISIONS			
REV	DESCRIPTION	DATE	BY

HOLE IN P.C.B $\phi 4.0$
P.C.B THICKNESS 1.6



HOLE IN CHASSIS $\phi 5.5$
CHASSIS THICKNESS 1.0~1.7



				TITLE SPACER SUPPORT			
				MATERIAL NYLON 66 UL94V-2		DATE 15/09/2015	
				DRAWN S.P.			
PART NUMBER 5915AA00		DRAWING NUMBER 15.09.15.5915.E		COLOR NATURAL		CHECK	
SIZE A4	SCALE NTS	UNIT mm	REV A	UNLESS OTHERWISE SPECIFIED TOLERANCE SEE ABOVE		APPROVED	