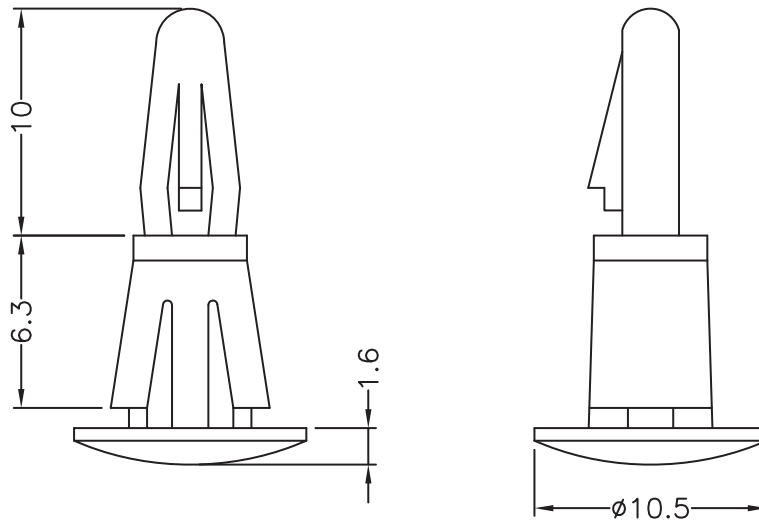


| DIM. | TOL |
|----------|------|
| 5mm DOWN | ±0.2 |
| 5~20mm | ±0.3 |
| 20~40mm | ±0.4 |
| 40~60mm | ±0.5 |
| 60~100mm | ±0.8 |
| 100mm UP | ±1.0 |


| REVISIONS | | | |
|-----------|-------------|------|----|
| REV | DESCRIPTION | DATE | BY |
| | | | |
| | | | |

HOLE IN P.C.B $\phi 4.0$
P.C.B THICKNESS 1.6



HOLE IN CHASSIS $\phi 5.5$
CHASSIS THICKNESS 1.0~1.7

NOTE: All measurement does not include gate which raises under 0.3mm.

| | | | | | |
|---|--------------|-------------|----------|--|--------------------|
|  | | | | TITLE SPACER SUPPORT | |
| | | | | MATERIAL NYLON 66 UL94V-2 | DATE 29/04/2016 |
| PART NUMBER 5914AA00 | | | | DRAWN R.F. | |
| DRAWING NUMBER 16.04.29.5914.0.E | | | | CHECK | |
| COLOR NATURAL | | | | APPROVED | |
| SIZE A4 | SCALE 3:1 | UNIT mm. | REV A | UNLESS OTHERWISE SPECIFIED TOLERANCE SEE ABOVE | |