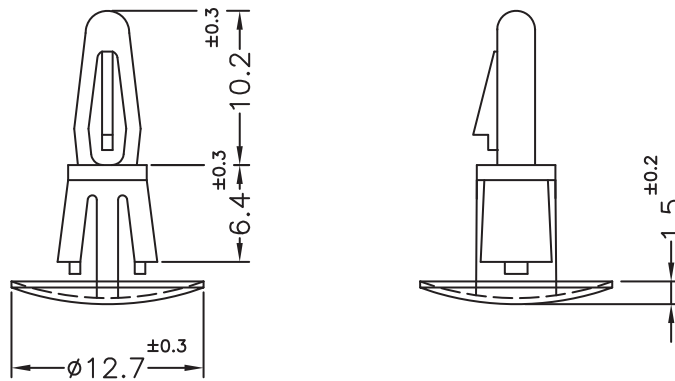



REVISIONS			
REV	DESCRIPTION	DATE	BY

HOLE IN CHASSIS  $\phi 4$   
 CHASSIS THICKNESS 1.6mm



HOLE IN CHASSIS  $\phi 5.4$   
 CHASSIS THICKNESS 1.2~2.0mm

NOTE: 1. SHRINKING IS NORMAL STATUS.  
 2. MADE OF EQUIVALENT MATERIAL.

				TITLE SPACER SUPPORT	
				MATERIAL NYLON 66 UL94V-2	DATE 29/04/2016
PART NUMBER 5913AA00				DRAWN R.F.	
DRAWING NUMBER 16.04.29.5913.0.E				CHECK	
COLOR NATURAL				APPROVED	
SIZE A4	SCALE 2:1	UNIT mm.	REV A	UNLESS OTHERWISE SPECIFIED TOLERANCE SEE ABOVE	