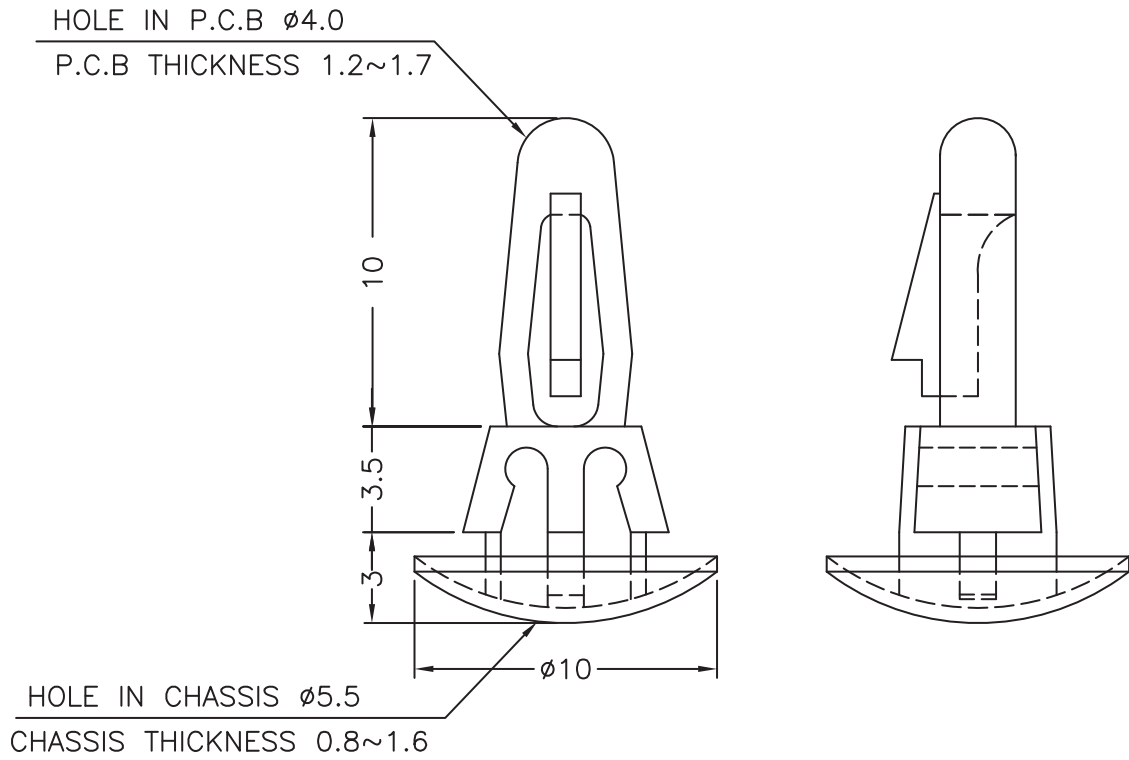



DIM.	TOL
5mm DOWN	±0.2
5~20mm	±0.3
20~40mm	±0.4
40~60mm	±0.5
60~100mm	±0.8
100mm UP	±1.0

REVISIONS			
REV	DESCRIPTION	DATE	BY



NOTE: All measurement does not include gate which raises under 0.3mm.

				TITLE SPACER SUPPORT	
				MATERIAL NYLON 66 UL94V-2	DATE 29/04/2016
PART NUMBER 5912AA00				DRAWN R.F.	
				DRAWING NUMBER 16.04.29.5912.0.E	
SIZE A4				COLOR NATURAL	
				SCALE 4:1	
UNIT mm.				CHECK	
				REV B	
TOLERANCE SEE ABOVE				APPROVED	