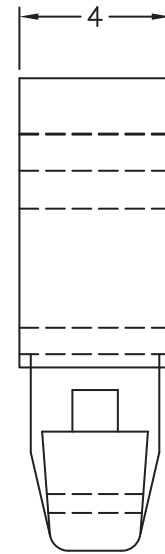
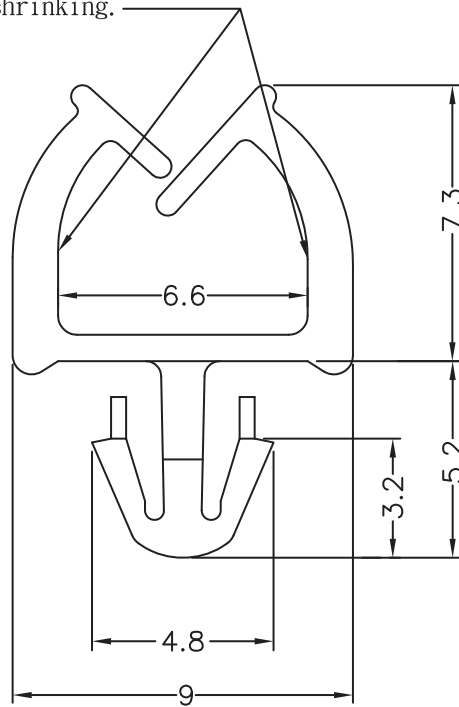


DIM.	TOL.
5mm DOWN.	±0.2
5~20mm	±0.3
20~40mm	±0.4
40~60mm	±0.5
60~100mm	±0.8
100mm UP.	±1.0


REVISIONS			
REV	DESCRIPTION	DATE	BY

It is normal if it is shrinking.



HOLE IN CHASSIS ϕ 3.5
CHASSIS THICKNESS 1.6

NOTE: All measurement does not include gate which raises under 0.3mm.

				TITLE	WIRE CLIP	
				MATERIAL	PA66 V2 UL 94	DATE
PART NUMBER 5729AA00				FINISH	DRAWN	J.D.
				COLOR	NATURAL	CHECK
DRAWING NUMBER		11.05.17.5729.0.E		UNLESS OTHERWISE SPECIFIED TOLERANCE		APPROVED
SIZE	SCALE	UNIT	REV	SEE ABOVE		
A4	5:1	mm.	C			