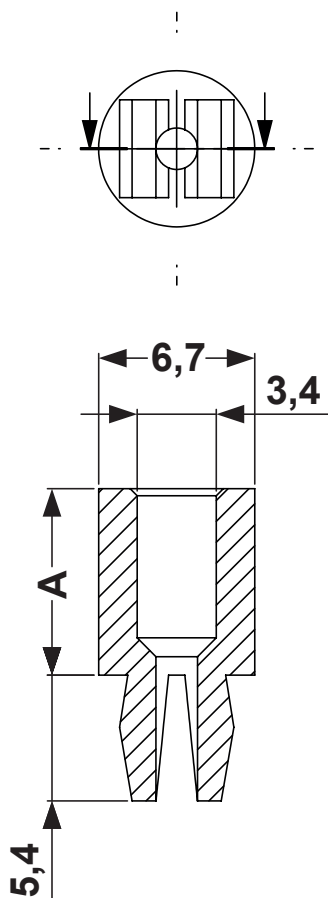



Tolerances	mm
< 5mm	±0.2
5~20mm	±0.3
20~40mm	±0.4
40~60mm	±0.5
60~100mm	±0.8
> 100mm	±1.0

REVISIONS			
REV	DESCRIPTION	DATE	BY



P/N	A
5574AA00	3,2
5575AA00	4,8
5576AA00	6,3
5577AA00	8,0
5578AA00	10,0
5579AA00	12,7
5580AA00	15,9
5581AA00	19,1

**NOTE:**  
**MOUNTING HOLE: 4,5 x 4,5 mm**  
**THICKNESS: 0,8 - 2,3 mm**  
**SCREW: 4P**

		TITLE SELF RETAINING SCREW GROMMET	
		MATERIAL PA66 V2 (UL 94)	DATE 16/06/2017
PART NUMBER SEE TABLE		FINISH	DRAWN R.F.
		DRAWING NUMBER 17.06.16.55XX.0.E	CHECK
SIZE A4	SCALF NTS	COLOR NATURAL	APPROVED
UNIT mm	REV B	UNLESS OTHERWISE SPECIFIED TOLERANCE SEE TABLE	