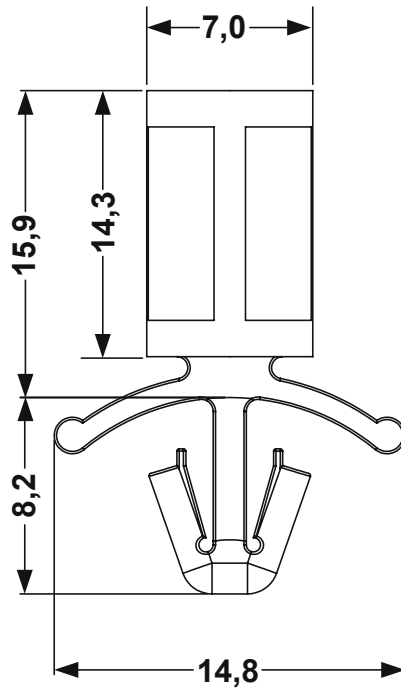


DIM.	TOL
5mm DOWN	±0.2
5~20mm	±0.3
20~40mm	±0.4
40~60mm	±0.5
60~100mm	±0.8
100mm UP	±1.0

REVISIONS			
REV	DESCRIPTION	DATE	BY



**NOTES:**  
**HOLE IN CHASSIS Ø 4,8**  
**CHASSIS THICKNESS 0,5 - 2,0**



				TITLE <b>P.C.B. SUPPORT SPACER</b>	
				MATERIAL NYLON 66 UL94V-2	DATE 21/03/2017
				DRAWN R.F.	
PART NUMBER 5520AA00		DRAWING NUMBER 17.03.21.5520.0.E		COLOR NATURAL	CHECK
SIZE A4	SCALE NTS	UNIT mm	REV A	UNLESS OTHERWISE SPECIFIED TOLERANCE SEE ABOVE	APPROVED