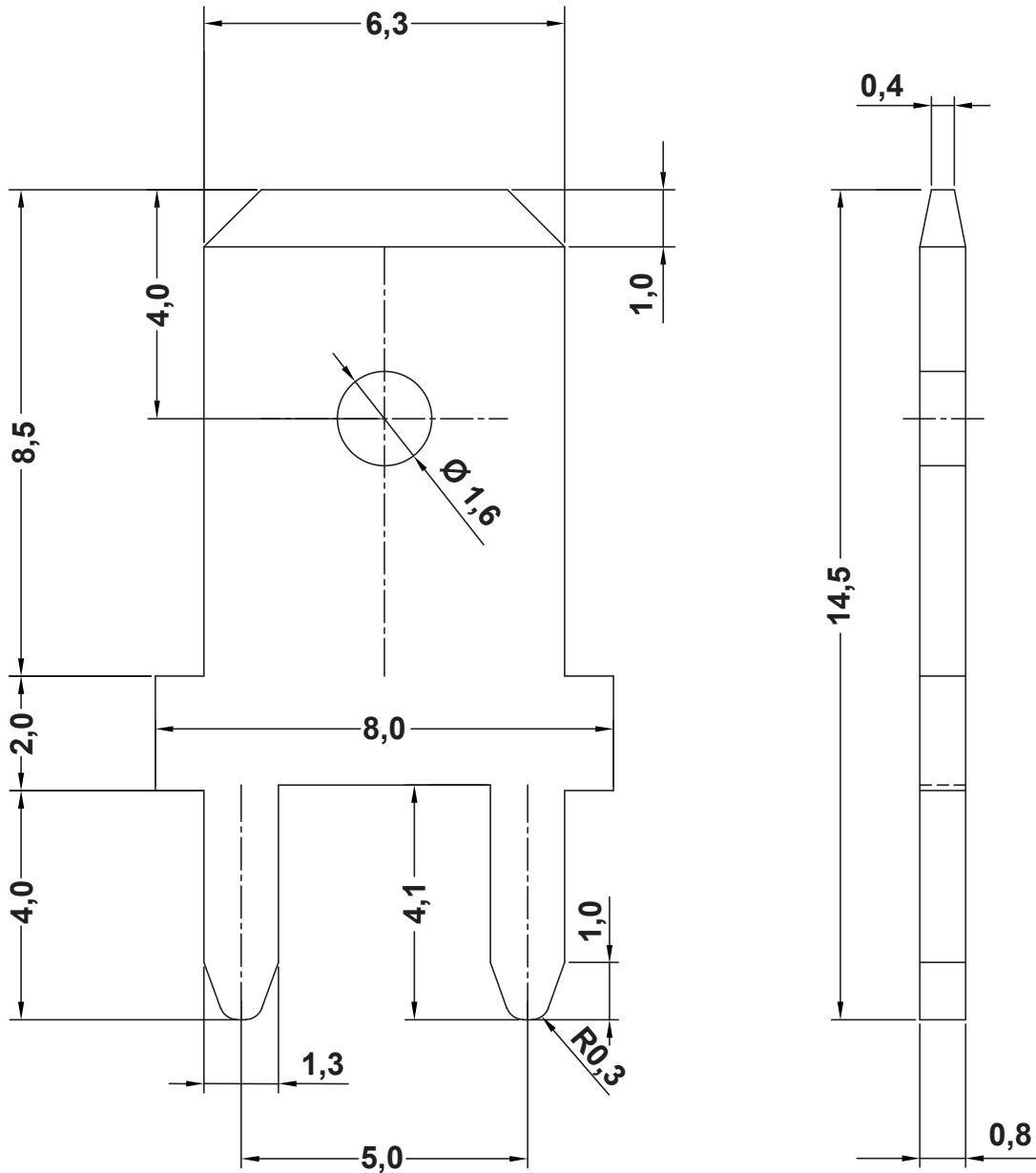


DIM.	TOL.
5mm DOWN	±0.2
5~20mm	±0.3
20~40mm	±0.4
40~60mm	±0.5
60~100mm	±0.8
100mm UP	±1.0

REVISIONS			
REV	DESCRIPTION	DATE	BY



Material : Copper 67% /Zinc 33% Alloy
 Surface treatment : Galvanic Nickel 1 Micron minimum + Tin 99% 5/7 Micron
 P.C.B. mounting hole : 1,5 mm
 Current Rating: 16 A
 Reference to: DIN 46 244
 Voltage : 250 Vac

Scale 1:1



fastpoint				TITLE		TABS FOR P.C.B.					
				MATERIAL		SEE ABOVE		DATE		02/11/2016	
				HARDNESS				DRAWN		R.F.	
PART NUMBER		DRAWING NUMBER		COLOR		CHECK					
5290MA91		16.11.02.5290.0.E		SEE ABOVE							
SIZE	SCALE	UNIT	REV	UNLESS OTHERWISE SPECIFIED TOLERANCE		APPROVED					
A4	8:1	mm	A	SEE ABOVE							