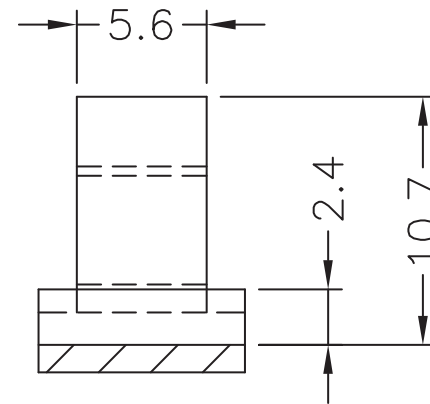
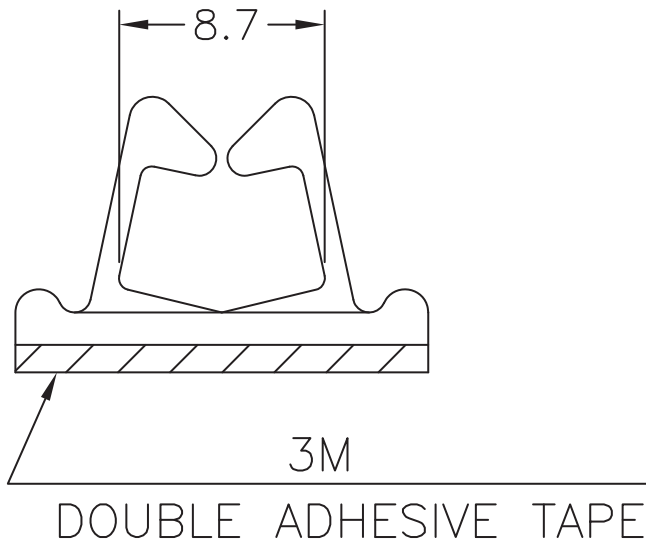
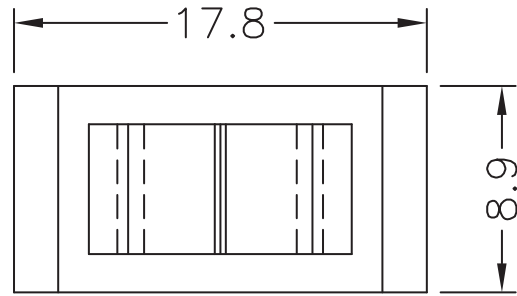


Dimensions	Tolerance
5mm	±0.2
5~20mm	±0.3
20~40mm	±0.4
40~60mm	±0.5
60~100mm	±0.8
100mm	±1.0



REV.	DESCRIPTION	DATE	TITLE: SELF ADHESIVE WIRE CLIP	DWG UNIT: MM
	MATERIAL: PA 66 (UL) 94 V-2		Modelled in RHINO 4.0	FILE:
	COLOUR: NATURAL		TOLLERANCES UNLESS NOTED	DwN: 05/06/14
			.XX= +/-010	DT: 14.05.06.4809.E.0
			.XXX= +/-005	ChkD:
			FRAC.= +/- 1/64	Part Number: 4809AA00AS
			ANG.= +/-1°	
			SHEET: 1 OF 1	
			SCALE: NTS	
			