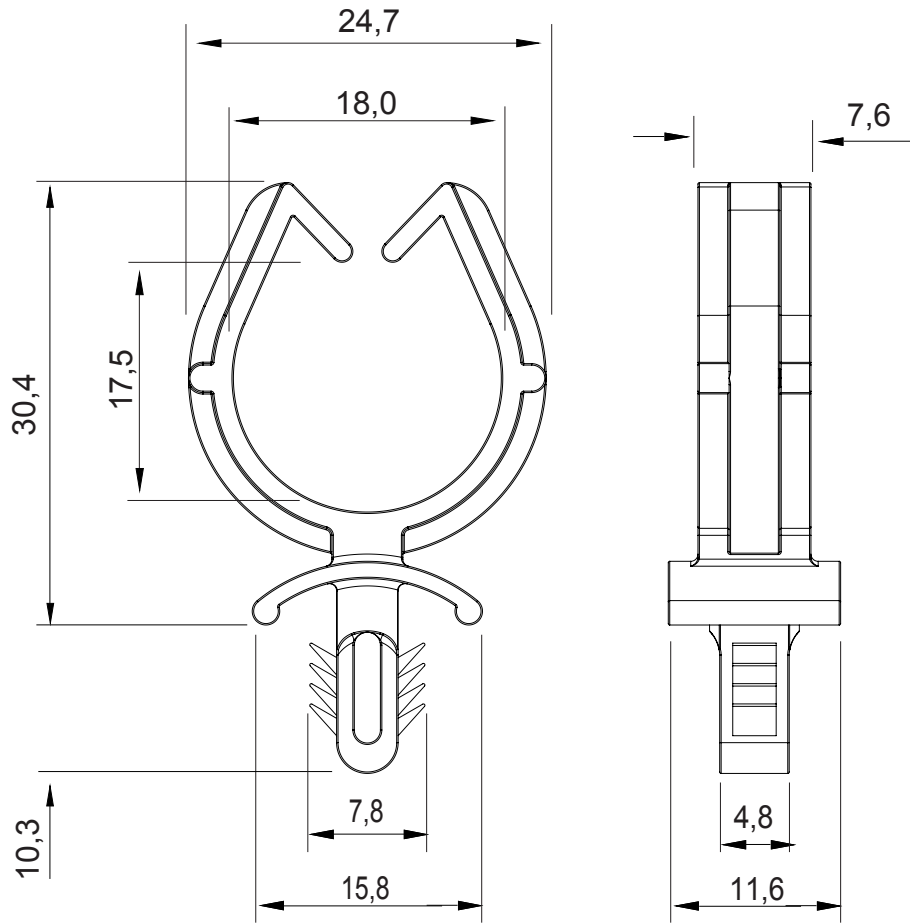


DIM.	TOL.
5mm DOWN.	±0.2
5~20mm	±0.3
20~40mm	±0.4
40~60mm	±0.5
60~100mm	±0.8
100mm UP.	±1.0

REVISIONS			
REV	DESCRIPTION	DATE	BY



fastpoint		TITLE	WIRE CLIP		
		MATERIAL	PA66 V2 UL 94	DATE	17/05/2011
PART NUMBER 4701AA01		DRAWING NUMBER		DRAWN J.D.	
		11.05.17.4701.0.E		CHECK 	
SIZE A4	SCALF NTS	UNIT mm.	REV A	COLOR BLACK	CHECK
UNLESS OTHERWISE SPECIFIED TOLERANCE SEE ABOVE				APPROVED 	