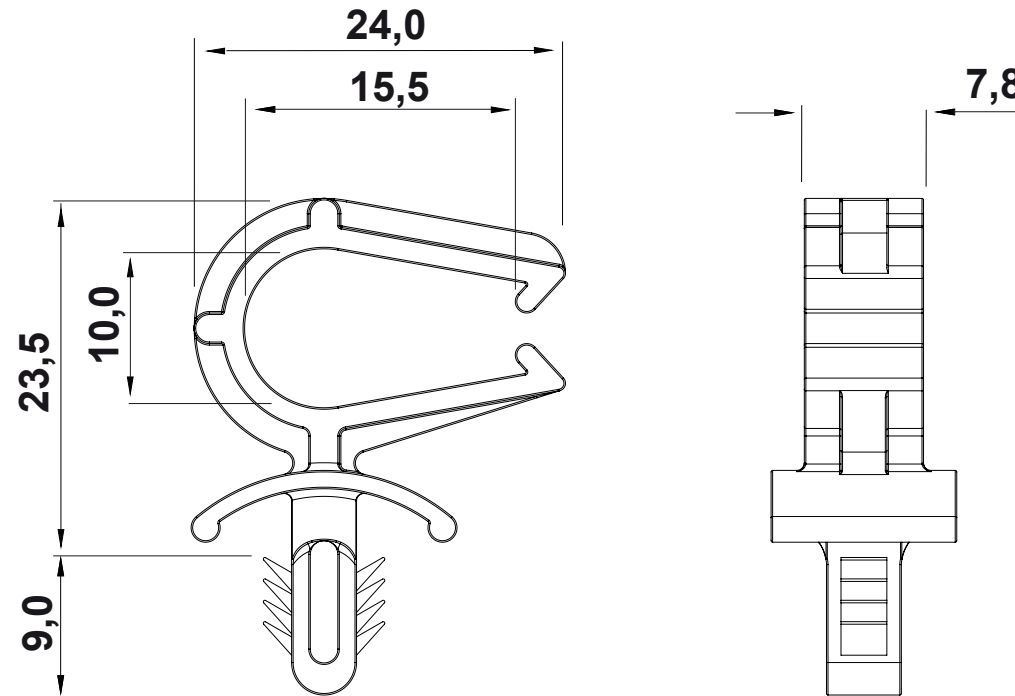


Dimensions	Tolerance
L ≤ 10	±0.2
10 < L ≤ 30	±0.3
30 < L ≤ 50	±0.5
50 < L ≤ 100	±0.7
100 < L ≤ 250	±1.2
ABOVE 250	±1.5



PANEL HOLE: Ø 6,5
THICKNESS: 0,8 - 6

REV.	DESCRIPTION	DATE	TITLE: WIRE CLIP	FILE:	DwN: 11/04/09	ChkD:
	MATERIAL: NYLON 66 (UL) 94V-2		<i>Modelled in RHINO 4.0</i>		DT: 09.11.04.4700.E	Part Number: 4700AA01
	COLOUR: BLACK		TOLLERANCES UNLESS NOTED	SHEET: 1 OF 1		
			.XX= +/-010	SCALE: NTS		
			.XXX= +/-005			
			FRAC.= +/- 1/64			
			ANG.= +/-1°			

