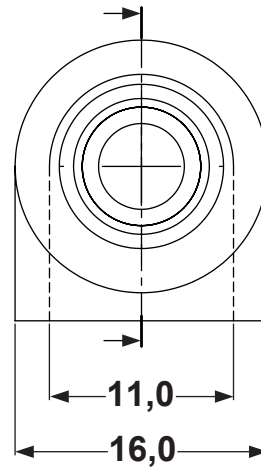
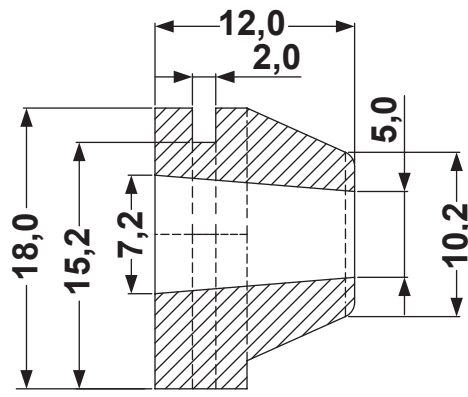



DIM.	TOL
5mm DOWN	±0.2
5~20mm	±0.3
20~40mm	±0.4
40~60mm	±0.5
60~100mm	±0.8
100mm UP	±1.0

REVISIONS			
REV	DESCRIPTION	DATE	BY



		TITLE EDGE GROMMET			
		MATERIAL PVC		DATE 16/12/2013	
PART NUMBER 4280CA01		DRAWING NUMBER 13.08.07.4280.E.0		FINISH	
SIZE A4		SCALE NTS		DRAWN V.P.	
UNIT mm		REV		CHECK	
COLOR BLACK		UNLESS OTHERWISE SPECIFIED TOLERANCE SEE ABOVE		APPROVED	