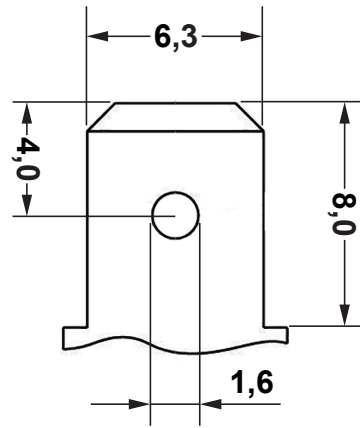
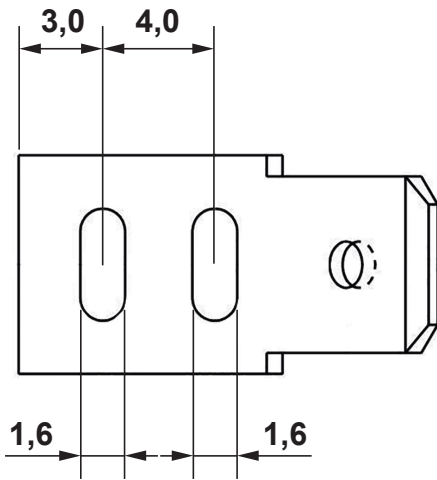
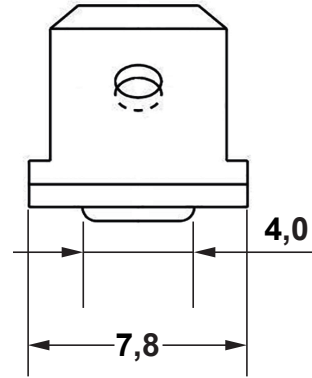
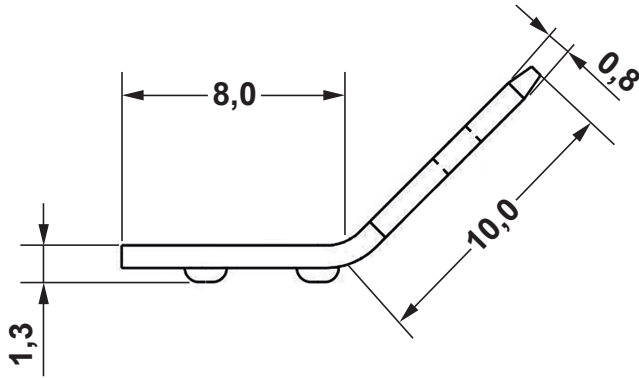


| DIM. | TOL |
|----------|------|
| 5mm DOWN | ±0.2 |
| 5~20mm | ±0.3 |
| 20~40mm | ±0.4 |
| 40~60mm | ±0.5 |
| 60~100mm | ±0.8 |
| 100mm UP | ±1.0 |

| REVISIONS | | | |
|-----------|-------------|------|----|
| REV | DESCRIPTION | DATE | BY |
| | | | |
| | | | |



| | | | | | |
|--------------------------------|--|--|--|---------------------------|--|
| TITLE WELDABLE TABS | | MATERIAL NICKEL PLATED IRON | | DATE 05.04.2017 | |
| | | FINISH | | DRAWN R.F. | |
| PART NUMBER 3673MC92 | | DRAWING NUMBER 17.04.05.3673.0.E | | COLOR | |
| SIZE A4 | | SCALE NTS | | UNIT mm. | |
| REV D | | UNLESS OTHERWISE SPECIFIED TOLERANCE SEE ABOVE | | CHECK | |
| APPROVED | | | | CHECK | |