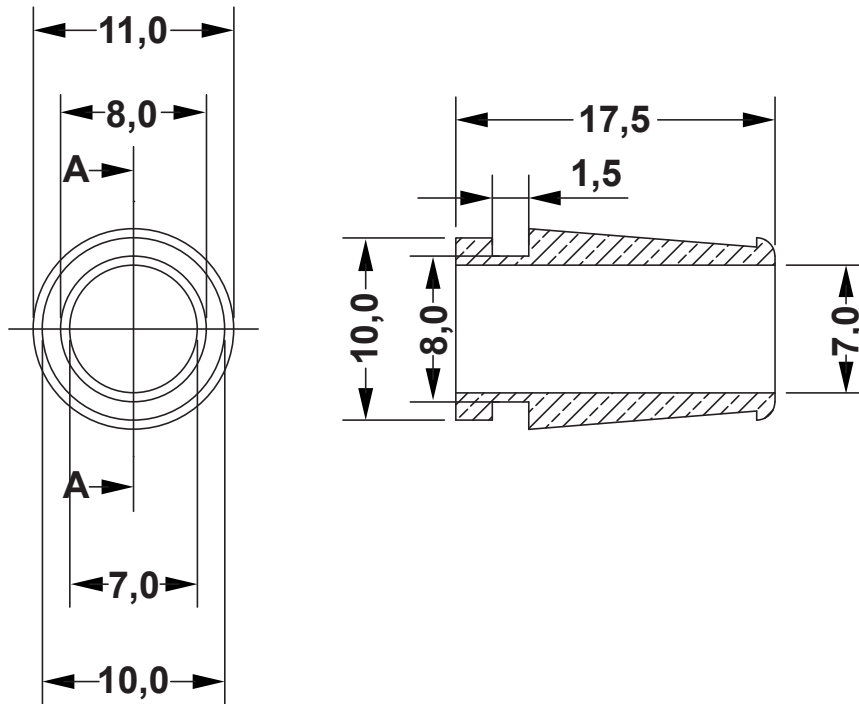


| DIM. | TOL. |
|----------|------|
| 5mm DOWN | ±0.2 |
| 5~20mm | ±0.3 |
| 20~40mm | ±0.4 |
| 40~60mm | ±0.5 |
| 60 100mm | ±0.8 |
| 100mm UP | ±1.0 |

| REVISIONS | | | |
|-----------|-------------|------|----|
| REV | DESCRIPTION | DATE | BY |
| | | | |
| | | | |



| | | | | | |
|---|---------------------|--|-----------------|--|--|
| TITLE SOFT SPECIAL CABLE GROMMETS | | MATERIAL PVC HB (UL94) | | DATE 30/08/2017 | |
| | | COLOR BLACK | | DRAWN R.F. | |
| PART NUMBER 3461CA01 | | DRAWING NUMBER 17.08.30.3461.0.E | | CHECK | |
| SIZE A4 | SCALE NTS | UNIT mm | REV A | UNLESS OTHERWISE SPECIFIED TOLERANCE SEE ABOVE | |
| | | | | APPROVED | |