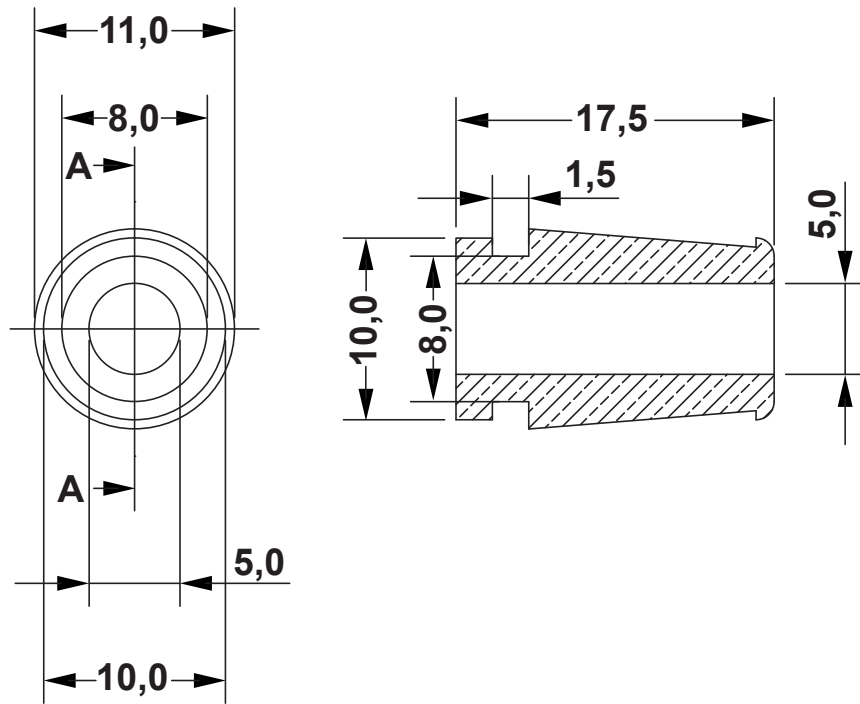


DIM.	TOL.
5mm DOWN	±0.2
5~20mm	±0.3
20~40mm	±0.4
40~60mm	±0.5
60 100mm	±0.8
100mm UP	±1.0

REVISIONS			
REV	DESCRIPTION	DATE	BY



TITLE SOFT SPECIAL CABLE GROMMETS		MATERIAL PVC HB (UL94)		DATE 30/08/2017	
		COLOR BLACK		DRAWN R.F.	
PART NUMBER 3459CA01		DRAWING NUMBER 17.08.30.3459.0.E		CHECK 	
SIZE A4	SCALE NTS	UNIT mm	REV A	UNLESS OTHERWISE SPECIFIED TOLERANCE SEE ABOVE	
				APPROVED	