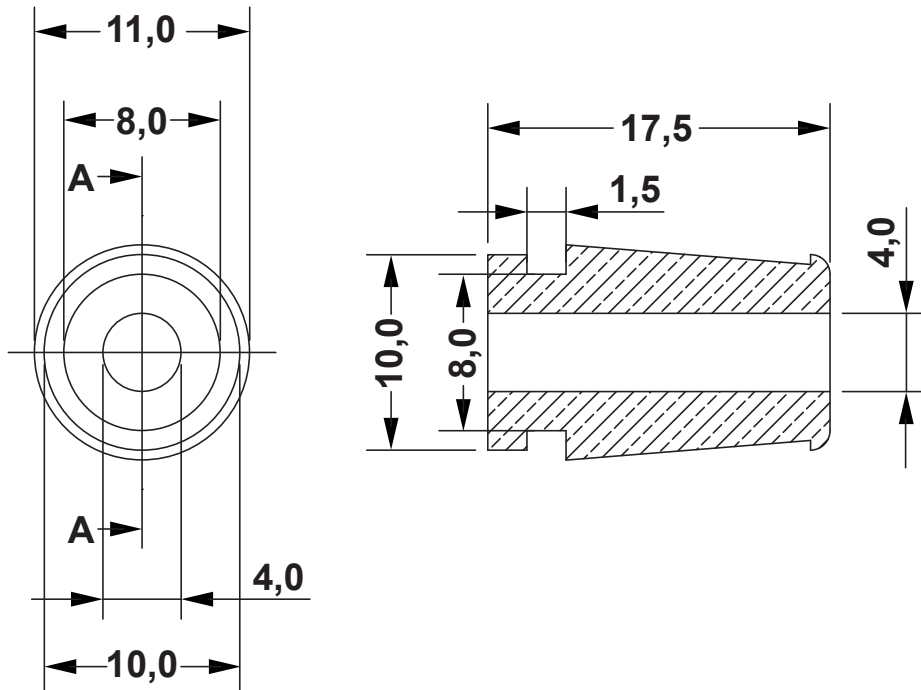


| DIM.     | TOL. |
|----------|------|
| 5mm DOWN | ±0.2 |
| 5~20mm   | ±0.3 |
| 20~40mm  | ±0.4 |
| 40~60mm  | ±0.5 |
| 60 100mm | ±0.8 |
| 100mm UP | ±1.0 |

| REVISIONS |             |      |    |
|-----------|-------------|------|----|
| REV       | DESCRIPTION | DATE | BY |
|           |             |      |    |
|           |             |      |    |
|           |             |      |    |



|   |              |                                      |                    |
|---|--------------|--------------------------------------|--------------------|
| <b>fastpoint</b>                                  |              | TITLE<br>SOFT SPECIAL CABLE GROMMETS |                    |
|   |              | MATERIAL<br>PVC HB (UL94)            | DATE<br>30/08/2017 |
| PART NUMBER<br>3458CA01                           |              | COLOR<br>BLACK                       | DRAWN<br>R.F.      |
| SIZE<br>A4  | SCALE<br>NTS | UNIT<br>mm                           | REV<br>A           |
| DRAWING NUMBER<br>17.08.30.3458.0.E               |              | CHECK                                |                    |
| UNLESS OTHERWISE SPECIFIED TOLERANCE<br>SEE ABOVE |              | APPROVED                             |                    |