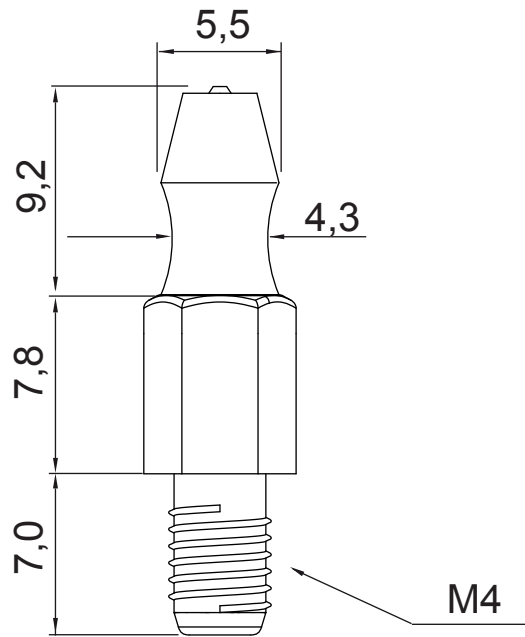
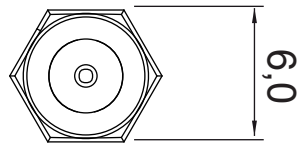
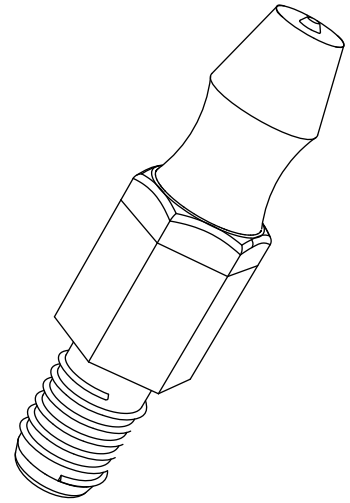


REVISIONS

REV	DESCRIPTION	DATE	BY



TITLE METAL STIKES

MATERIAL ZINC PLATED IRON DATE 15/09/2015

DRAWN D.C.

PART NUMBER 2935MF94 DRAWING NUMBER 15.09.15.2935.0.E

COLOR CHECK

SIZE A4 SCALE NTS UNIT mm REV A

UNLESS OTHERWISE SPECIFIED TOLERANCE ±0,2 APPROVED