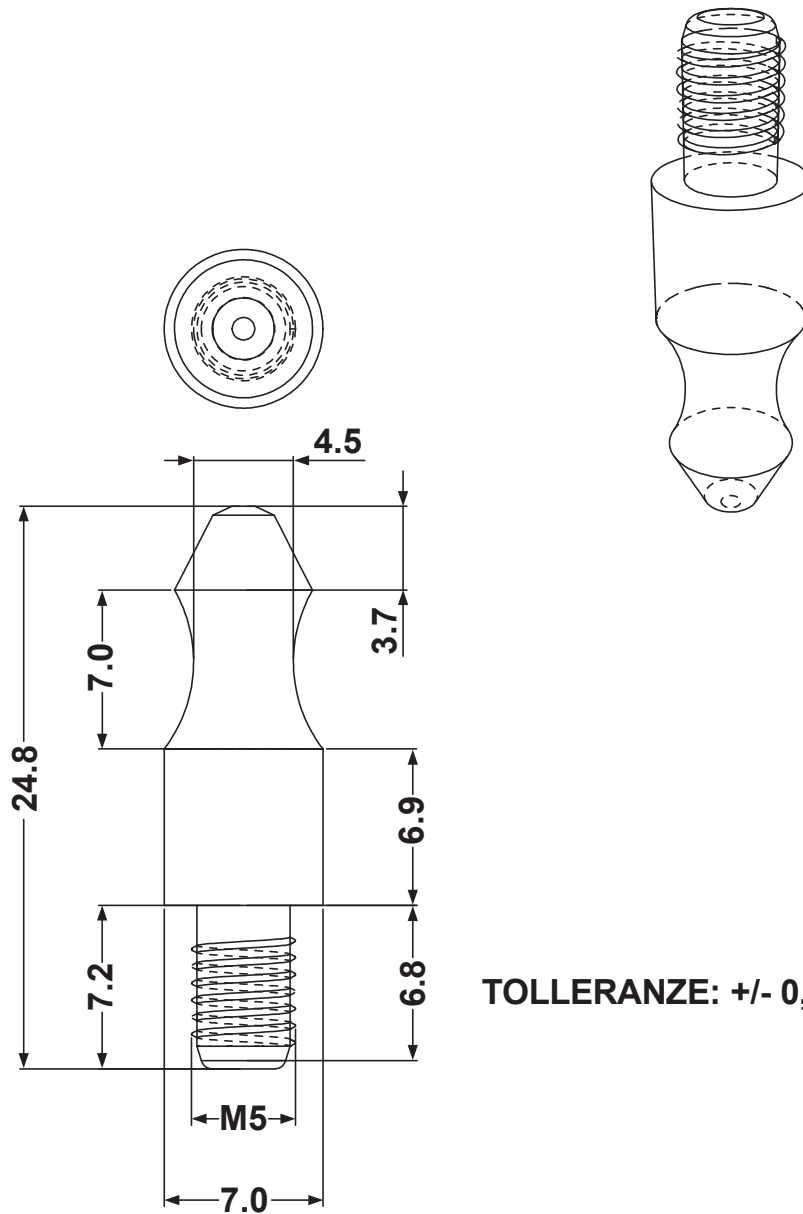


DIM.	TOL.
5mm DOWN	±0.2
5~20mm	±0.3
20~40mm	±0.4
40~60mm	±0.5
60~100mm	±0.8
100mm UP	±1.0

REVISIONS			
REV	DESCRIPTION	DATE	BY



TOLLERANZE: +/- 0,1



TITLE METAL STRIKES AND LATCHES

MATERIAL ZINC PLATED IRON

DATE 19/07/2017

DRAWN R.F.

PART NUMBER 2930MF94

DRAWING NUMBER 17.07.19.2930.0.E

COLOR

CHECK

SIZE A4

SCALE 3:1

UNIT mm.

REV A

UNLESS OTHERWISE SPECIFIED TOLERANCE SEE ABOVE

APPROVED