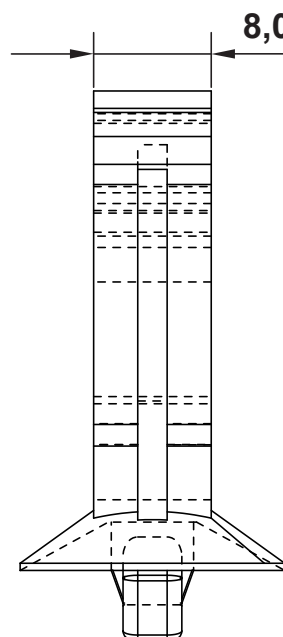
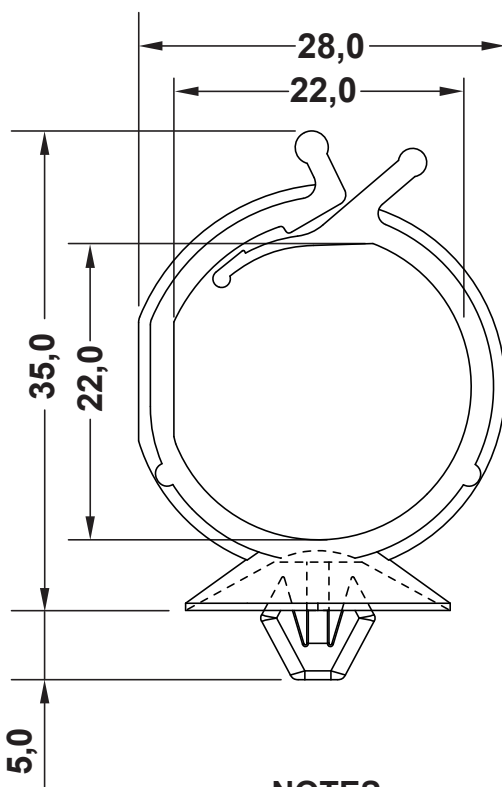
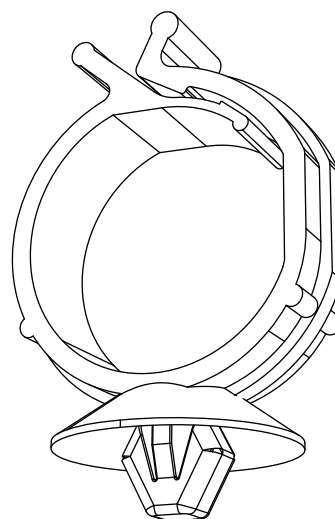


DIM.	TOL.
5mm DOWN	±0.2
5~20mm	±0.3
20~40mm	±0.4
40~60mm	±0.5
60~100mm	±0.8
100mm UP	±1.0

REVISIONS			
REV	DESCRIPTION	DATE	BY



NOTES:
MOUNTING HOLE Ø 6,5
THICKNESS: 0,8 - 1,5



TITLE
WIRE AND PIPE CLIPS TOP OPENING

MATERIAL	PA66 V2 (UL94)	DATE	20/03/2017
		DRAWN	R.F.
COLOR	NATURAL	CHECK	
UNLESS OTHERWISE SPECIFIED TOLERANCE	SEE ABOVE	APPROVED	

PART NUMBER		DRAWING NUMBER	
2764AA00		17.03.20.2764.0.E	
SIZE	SCALE	UNIT	REV
A4	NTS	mm.	A