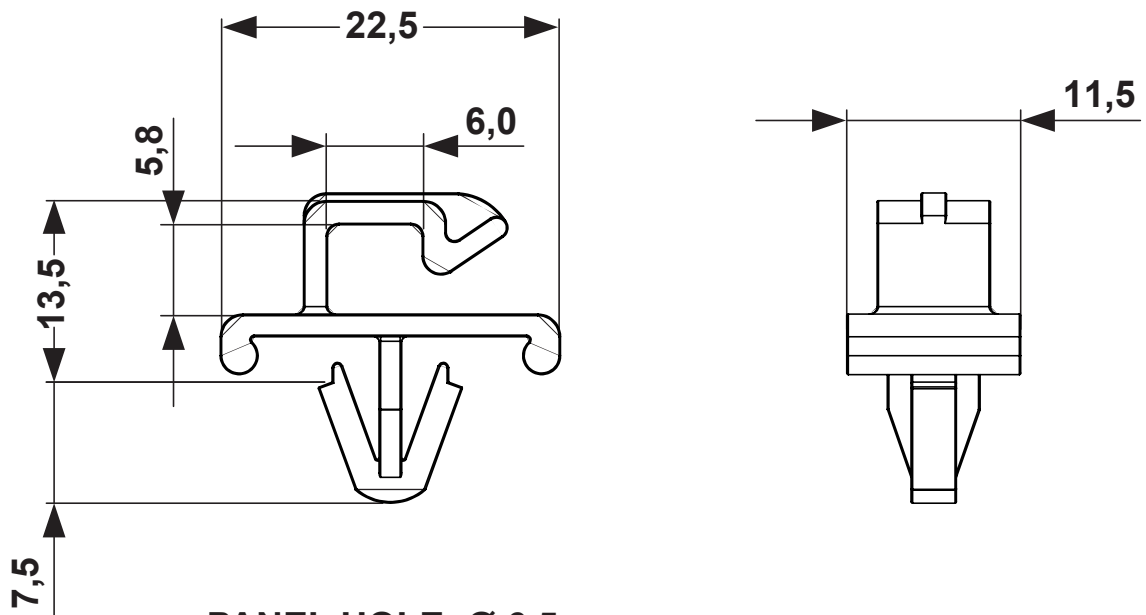



DIM.	TOL
5mm DOWN	±0.2
5~20mm	±0.3
20~40mm	±0.4
40~60mm	±0.5
60~100mm	±0.8
100mm UP	±1.0

REVISIONS			
REV	DESCRIPTION	DATE	BY



PANEL HOLE: Ø 6,5
THICKNESS: 0,5 - 1,5

				TITLE WIRE CLIP - SIDE OPENING	
				MATERIAL PA66 V2 UL94	DATE 17/05/2011
PART NUMBER 2327AA01		DRAWING NUMBER 11.05.17.2327.0.E		COLOR BLACK	DRAWN D.C.
SIZE A4	SCALE NTS	UNIT mm.	REV A	UNLESS OTHERWISE SPECIFIED TOLERANCE SEE ABOVE	CHECK
				APPROVED	