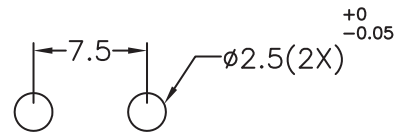
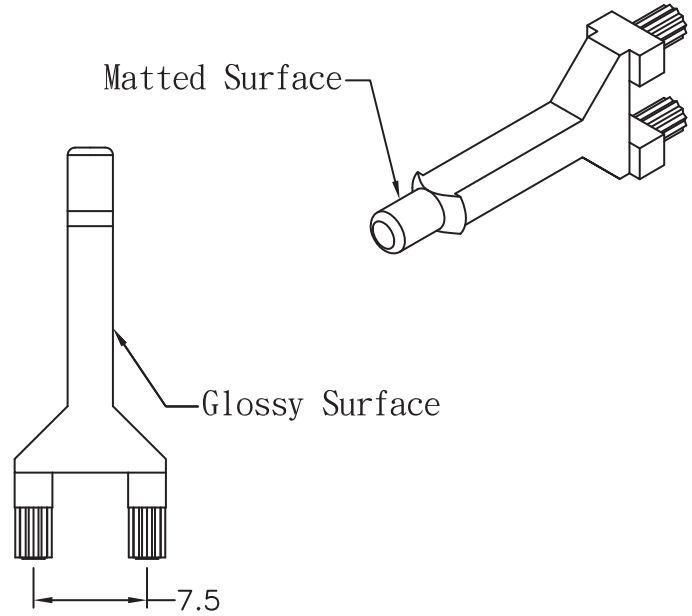
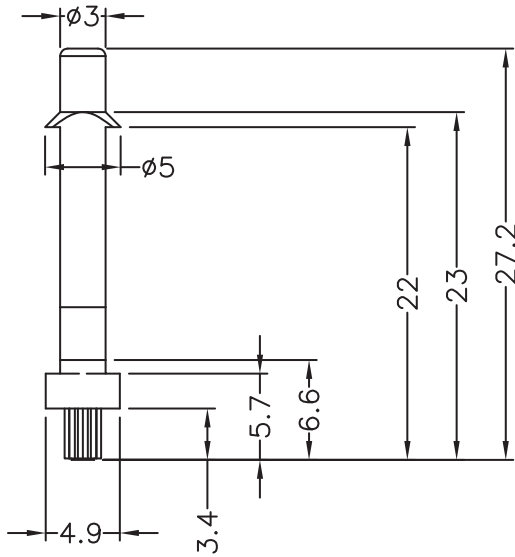


DIM.	TOL.
5mm DOWN	±0.2
5~20mm	±0.3
20~40mm	±0.4
40~60mm	±0.5
60~100mm	±0.8
100mm UP	±1.0

REVISIONS			
REV	DESCRIPTION	DATE	BY



MOUNTING HOLES

NOTE: All measurement does not include gate which raises under 0.3mm.



				TITLE		LIGHT PIPE	
				MATERIAL		PC UL94V-0	
PART NUMBER		DRAWING NUMBER		ADESIVO		DRAWN	
14096NV00		16.06.08.14096.0.E				R.F.	
SIZE		UNIT		COLOR		CHECK	
A4		mm		CLEAR			
SCALE		REV		UNLESS OTHERWISE SPECIFIED TOLERANCE		APPROVED	
2:1		A		SEE ABOVE			