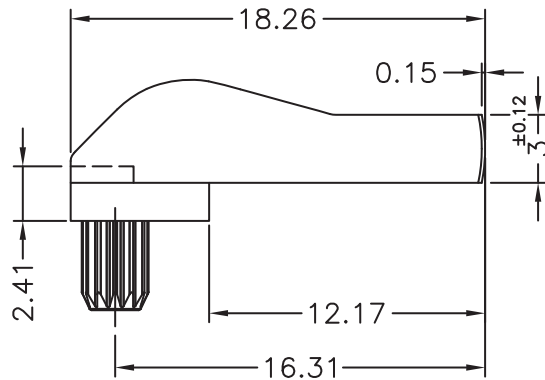
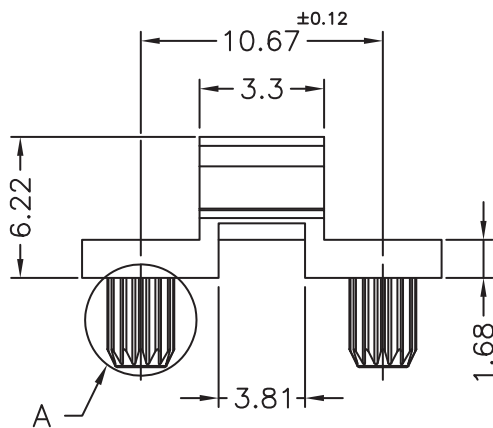
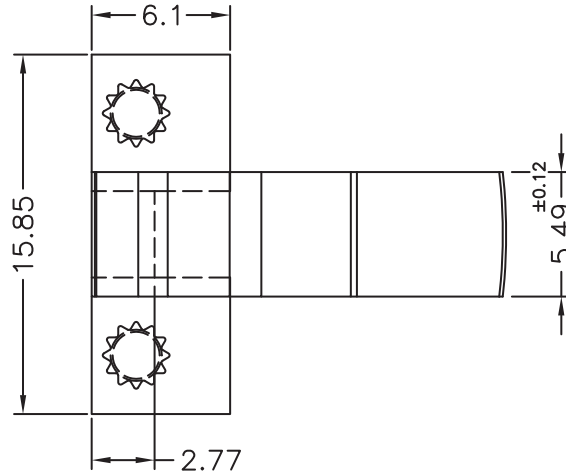
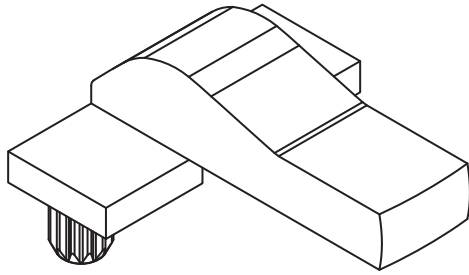
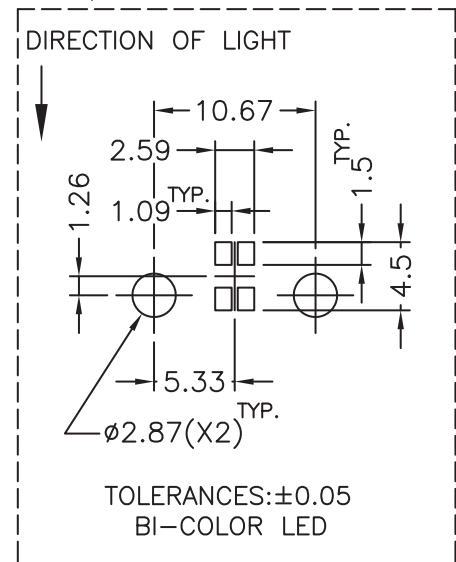
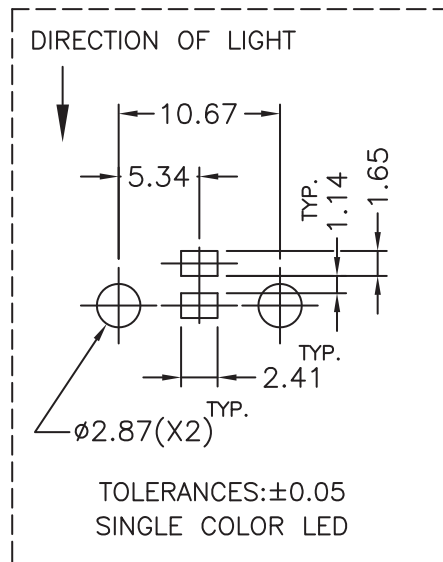
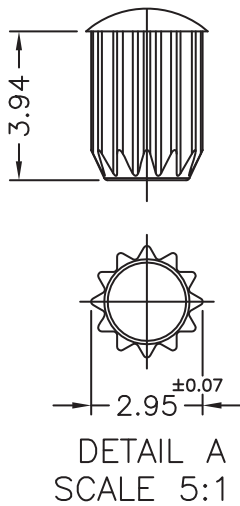


DIM.	TOL.
5mm DOWN	±0.2
5~20mm	±0.3
20~40mm	±0.4
40~60mm	±0.5
60~100mm	±0.8
100mm UP	±1.0

REVISIONS			
REV	DESCRIPTION	DATE	BY



RECOMMENDED HOLE PATTERN GAUGE/SOLDER PAD LAYOUT



TITLE		LIGHT PIPE	
MATERIAL		PC UL94V-0	DATE 30/05/2016
PART NUMBER 14041NV00		DRAWING NUMBER 16.05.30.14041.0.E	DRAWN R.F.
SIZE A4		SCALE 3:1	UNIT mm
REV A		COLOR CLEAR	CHECK
UNLESS OTHERWISE SPECIFIED TOLERANCE SEE ABOVE		APPROVED	