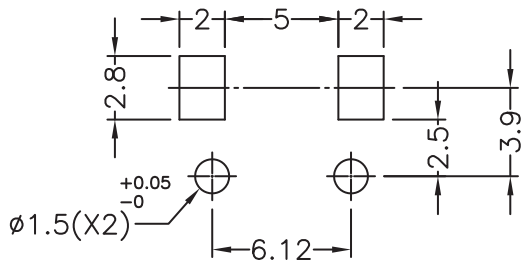
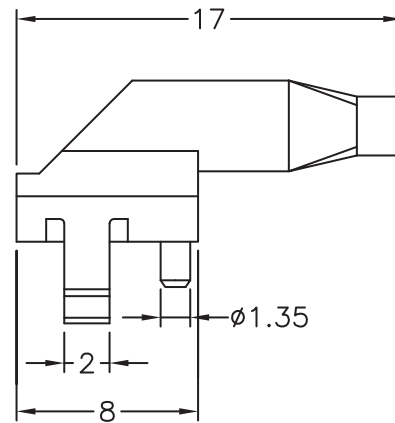
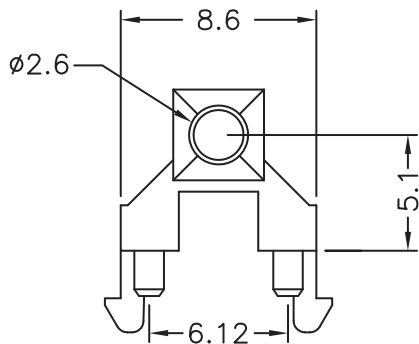


DIM.	TOL.
5mm DOWN	±0.2
5~20mm	±0.3
20~40mm	±0.4
40~60mm	±0.5
60~100mm	±0.8
100mm UP	±1.0

REVISIONS			
REV	DESCRIPTION	DATE	BY



MOUNTING HOLES

NOTE: All measurement does not include gate which raises under 0.3mm.



				TITLE LIGHT PIPE		
				MATERIAL PC UL94V-0	DATE 30/05/2016	
				DRAWN R.F.		
PART NUMBER 14037NV00		DRAWING NUMBER 16.05.30.14037.0.E		COLOR NATURAL		CHECK
SIZE A4	SCALE 3:1	UNIT mm	REV B	UNLESS OTHERWISE SPECIFIED TOLERANCE SEE ABOVE		APPROVED