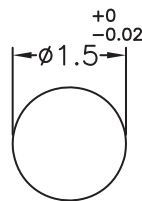
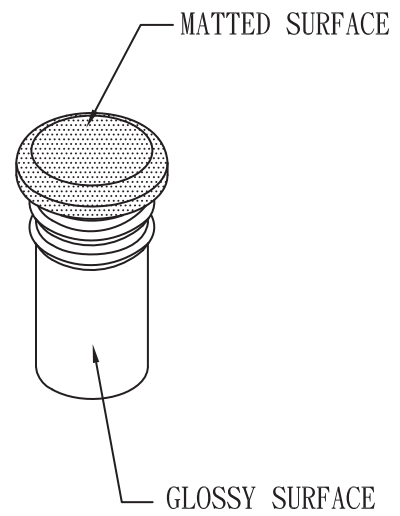
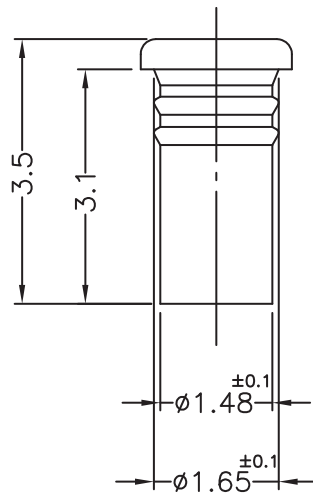
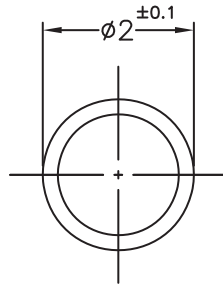


| DIM. | TOL. |
|----------|------|
| 5mm DOWN | ±0.2 |
| 5~20mm | ±0.3 |
| 20~40mm | ±0.4 |
| 40~60mm | ±0.5 |
| 60~100mm | ±0.8 |
| 100mm UP | ±1.0 |

| REVISIONS | | | |
|-----------|-------------|------|----|
| REV | DESCRIPTION | DATE | BY |
| | | | |
| | | | |



MOUNTING HOLE



| | | | | | |
|------------------|-----------|----------------|--------------------|--------------------------------------|------------|
| fastpoint | | TITLE | | LIGHT PIPE | |
| | | MATERIAL | PC UL94V-0 | DATE | 23/05/2016 |
| | | | | DRAWN | R.F. |
| PART NUMBER | 14026NA00 | DRAWING NUMBER | 16.05.23.14026.0.E | COLOR | CLEAR |
| SIZE | A4 | SCALE | 10:1 | UNIT | mm |
| | | REV | A | UNLESS OTHERWISE SPECIFIED TOLERANCE | SEE ABOVE |
| | | | | CHECK | |
| | | | | APPROVED | |