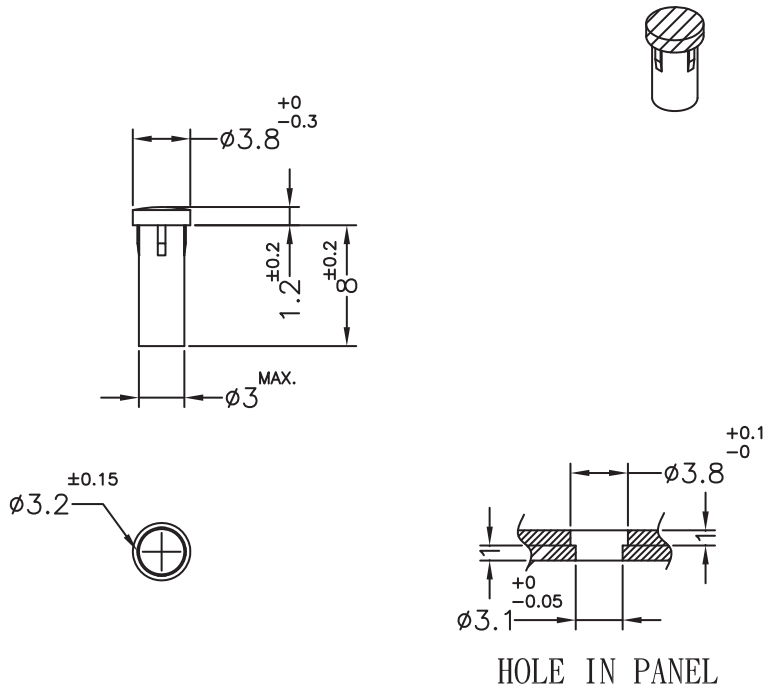



DIM.	TOL.
5mm DOWN	±0.2
5~20mm	±0.3
20~40mm	±0.4
40~60mm	±0.5
60~100mm	±0.8
100mm UP	±1.0

REVISIONS			
REV	DESCRIPTION	DATE	BY



NOTE:MADE OF EQUIVALENT MATERIAL.

				TITLE LIGHT PIPE	
				MATERIAL PC UL94V-2	DATE 23/05/2016
PART NUMBER 14022NA00				DRAWN R.F.	
DRAWING NUMBER 16.05.23.14022.0.E				CHECK	
SIZE A4	SCALE 2:1	UNIT mm	REV A	COLOR TRANSPARENT	
UNLESS OTHERWISE SPECIFIED TOLERANCE SEE ABOVE				APPROVED	