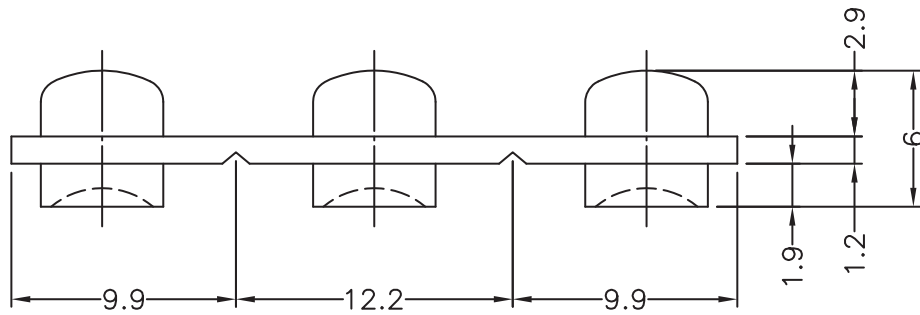
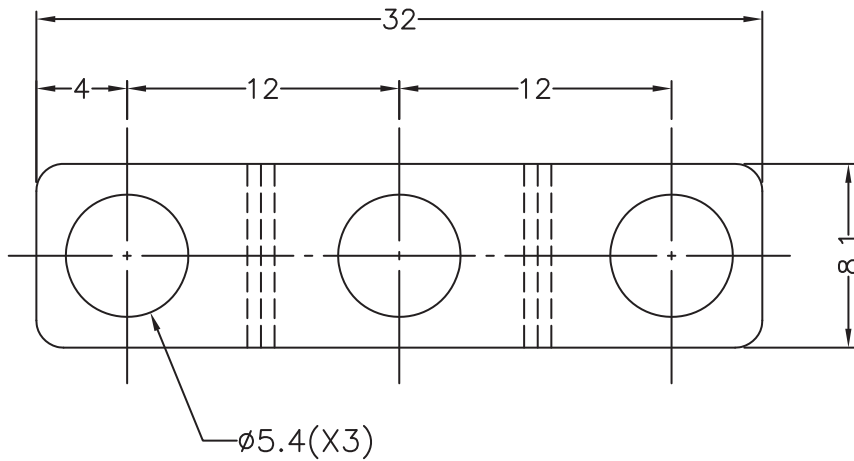


DIM.	TOL.
5mm DOWN	±0.2
5~20mm	±0.3
20~40mm	±0.4
40~60mm	±0.5
60~100mm	±0.8
100mm UP	±1.0

REVISIONS			
REV	DESCRIPTION	DATE	BY



<b>TITLE</b> <b>LIGHT PIPE</b>		<b>MATERIAL</b> PMMA		<b>DATE</b> 13/05/2016	
		<b>ADESIVO</b>		<b>DRAWN</b> R.F.	
		<b>COLOR</b> NATURAL		<b>CHECK</b>	
<b>PART NUMBER</b> 14018PM00		<b>DRAWING NUMBER</b> 16.05.13.14018.0.E		<b>UNLESS OTHERWISE SPECIFIED TOLERANCE</b> SEE ABOVE	
<b>SIZE</b> A4	<b>SCALE</b> 3:1	<b>UNIT</b> mm	<b>REV</b> A	<b>APPROVED</b>	